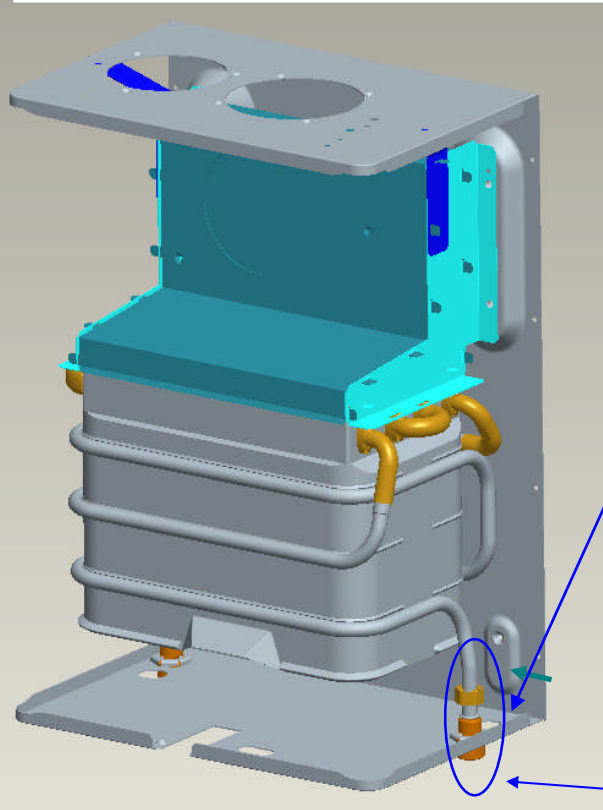


F-11E HEAT EXCHANGER AND FLOW SWITCH MODIFICATIONS

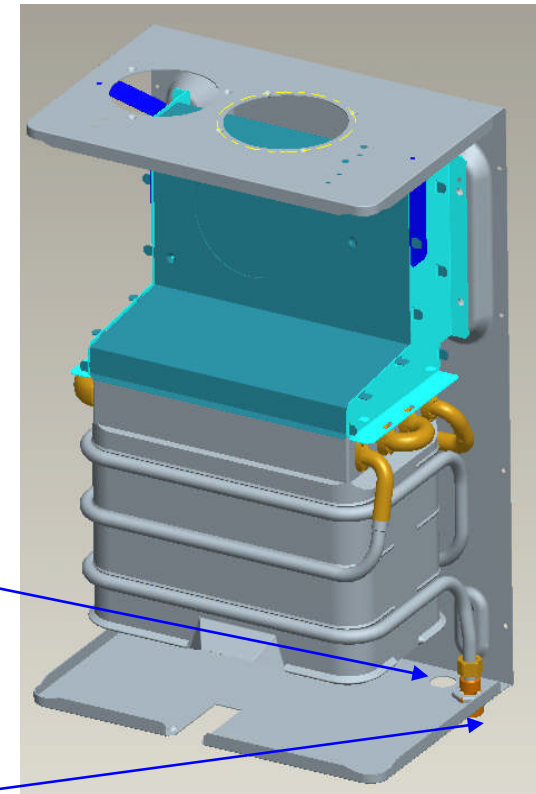


PREVIOUS VERSION OF F-11E HEAT EXCHANGER
PART NUMBER (MRS0060) SUITABLE FOR HEATERS
WITH SERIAL NUMBERS ENDING 0000 -0937 ONLY

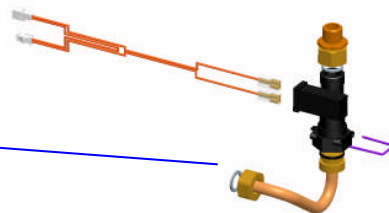
CURRENT VERSION OF F-11E HEAT EXCHANGER
PART NUMBER (MRS0065) SUITABLE FOR HEATERS
WITH SERIAL NUMBERS ENDING 0938 ONWARDS



HOLE FOR AIR PRESSURE
SWITCH WIRES (RED) TO
THE REAR OF INLET



HOLE FOR AIR PRESSURE
SWITCH WIRES (RED) TO
LEFT OF INLET



FLOW SWITCH

PLEASE NOTE FLOW SWITCH PART NUMBER FOR THIS
HEAT EXCHANGER IS (MRS0220) SUITABLE FOR HEATERS
WITH SERIAL NUMBERS ENDING 0000 -0937

PLEASE NOTE FLOW SWITCH PART NUMBER FOR
THIS HEAT EXCHANGER IS (MRS0230) SUITABLE FOR
HEATERS WITH SERIAL NUMBERS ENDING 0938 ONWARDS