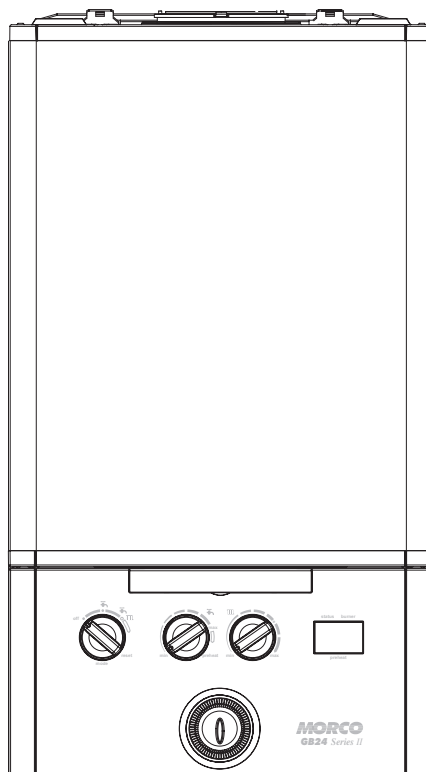


GB24 & GB30 Series II

User & Installation Instructions



BOILER OUTPUT

To Domestic Hot Water:

GB24/30 Minimum 8.0 kW (27,296 Btu/h)

GB24 Maximum 24.2 kW (82,570 Btu/h)

GB30 Maximum 30.3 kW (103,384 Btu/h)

To Central Heating:

GB24/30 Minimum 8.0 kW (27,296 Btu/h)

GB24/30 Maximum 24.2 kW (82,570 Btu/h)



MORCO

Morco House, Riverview Road, Beverley, East Yorkshire, HU17 0LD

Morco Products Ltd

Tel: 01482 325456 Fax: 01482 212869

Website: www.morcoproducts.co.uk



ERP DATA

	SYMBOL	UNITS	MODEL	
			24	30
Condensing Boiler	n/a	n/a	yes	yes
Low Temperature Boiler	n/a	n/a	no	no
B1 Boiler	n/a	n/a	no	no
Cogeneration Space Heater	n/a	n/a	no	no
Equipped with a Supplementary Heater	n/a	n/a	no	no
Combination Heater	n/a	n/a	yes	yes
Nominal Heat Output for Space Heating				
Full Load	P ₄	kW	24.3	24.3
Part Load	P ₁	kW	8.0	8.0
Auxiliary Electricity Consumption				
Full Load	e _{lmax}	kW	0.042	0.031
Part Load	e _{lmin}	kW	0.012	0.013
Standby	P _{SB}	kW	0.005	0.005
Seasonal Space Heating Energy Efficiency				
Full Load	η ₄	%	90.0	90.0
Part Load	η ₁	%	98.7	98.7
Standby Loss	P _{stby}	kW	0.050	0.050
Ignition	P _{ign}	kW	0	0
Emissions				
Emissions	NO _x	mg/kWh	26	26
Annual Energy Consumption	Q _{HE}	GJ	75	75
Sound Power Level, Indoors	L _{WA}	dB	45	46
Domestic Hot Water				
	AEC	kWh	16	16
	AFC	GJ	6	6

All Gas Safe Register installers carry a Gas Safe Register ID card, and have a registration number. Both should be recorded in the Benchmark Commissioning Checklist. You can check your installer by calling Gas Safe Register direct on 0800 4085500.

PRODUCT FICHE

MORCO COMBINATION BOILER

Morco Products Ltd

ERP DATA

	SYMBOL	UNITS	MODEL	
			24	30
Condensing boiler			Yes	
Seasonal Space heating efficiency class			A	
Rated heat output		kW	24	
Seasonal space heating energy efficiency	η_s	%	94*	
Annual energy consumption	Q_{HE}	GJ	76	
Sound power level, indoors	L_{WA}	dB	45	46
Water heating energy efficiency class			A	

Seasonal Space Heating Energy Efficiency of the Boiler								*%	A
Temperature control (from fiche of temperature control)								%	
<i>Class I</i>	<i>Class II</i>	<i>Class III</i>	<i>Class IV</i>	<i>Class V</i>	<i>Class VI</i>	<i>Class VII</i>	<i>Class VIII</i>	B	
1%	2%	1.5%	2%	3%	4%	3.5%	5%		

Solar Contribution (from fiche of solar device)

Collector Size
(in m²)

Tank Volume
(in m³)

Collector Efficiency
(in %)

Tank rating
A* = 0.95
A = 0.91
B = 0.86
C = 0.83
D-G = 0.81

= ('III' x + 'IV' x) x 0.9 x (/ 100 x = % C

Seasonal Space Heating Energy Efficiency of Package

TOTAL: A+B+C=

%

Seasonal Space Heating Energy Efficiency Class of Package

<input style="width: 30px; height: 20px;" type="text"/>	<input style="width: 30px; height: 20px;" type="text"/>	<input style="width: 30px; height: 20px;" type="text"/>	<input style="width: 30px; height: 20px;" type="text"/>	<input style="width: 30px; height: 20px;" type="text"/>	<input style="width: 30px; height: 20px;" type="text"/>	<input style="width: 30px; height: 20px;" type="text"/>	<input style="width: 30px; height: 20px;" type="text"/>	<input style="width: 30px; height: 20px;" type="text"/>	<input style="width: 30px; height: 20px;" type="text"/>
G	F	E	D	C	B	A	A+	A++	A+++
< 30%	≥ 30%	≥ 34%	≥ 36%	≥ 75%	≥ 82%	≥ 90%	≥ 98%	≥ 125%	≥ 150%

The energy efficiency of the package of products provided for in this document may not correspond to its actual energy efficiency once installed in a building, as the efficiency is influenced by further factors such as heat loss in the products in relation to the building size and its characteristics

Morco GB24 & GB30 Series II
Combination Boiler

Destination Country:

- BE** = Belgium
- CH** = Switzerland
- CZ** = Czech Republic
- DE** = Germany
- ES** = Spain
- FR** = France
- GB** = UK
- GR** = Greece
- IE** = Ireland
- IT** = Italy
- NL** = Netherlands
- PL** = Poland
- PT** = Portugal
- SI** = Slovenia

CONTENTS

SECTION	PAGE
1 Users Instructions	6
2 General Specifications	10
3 Technical Data	12
4 General Installation Requirements.....	14
5 Installation Instructions	16
6 Commissioning Instructions	25
7 Routine Servicing Instructions	27
8 Fact Sheets.....	33
9 Fault Codes.....	34
10 Combustion Ratio Check	36
11 Warranty	38

SECTION 1 - USERS INSTRUCTIONS

FOR ANY QUERIES PLEASE RING THE MORCO CONSUMER HELPLINE : 01482 325456

NOTE. BOILER RESET PROCEDURE -

To reset boiler, turn mode control knob to reset position and immediately turn knob back to required setting.

Introduction

The **Morco GB Series II** is a wall mounted, room sealed, condensing combination boiler, featuring full sequence automatic spark ignition and fan assisted combustion.

Due to the high efficiency of the boiler, condensate is produced from the flue gases and this is drained to a suitable disposal point through a plastic waste pipe at the base of the boiler. A condensate 'plume' will also be visible at the flue terminal.

The **Morco GB Series II** is a combination boiler providing both central heating and instantaneous domestic hot water.

Safety

Current Gas Safety (Installation & Use)

Regulations or rules in force.

In your own interest, and that of safety, it is the law that this boiler must be installed by a Gas Safe Registered Engineer, in accordance with the above regulations.

In other countries the installation must be carried out by a qualified and competent Gas Installer. In the approved country the boiler is installed, this must be in accordance with their current rules in force.

It is essential that the instructions in this booklet are strictly followed, for safe and economical operation of the boiler.

Electricity Supply

This appliance must be earthed.

Supply: 230 V ~ 50 Hz. The fusing should be 3A.

Important Notes

- This appliance must not be operated without the casing correctly fitted and forming an adequate seal.
- If the boiler is installed in a compartment then the compartment **MUST NOT** be used for storage purposes.
- If it is known or suspected that a fault exists on the boiler then it **MUST NOT BE USED** until the fault has been corrected by a Gas Safe Registered Engineer or in other countries a qualified and competent Gas Installer.
- Under **NO** circumstances should any of the sealed components on this appliance be used incorrectly or tampered with.
- This appliance can be used by children from 8 years and above and persons with reduced physical, sensory or mental capabilities or lack of experience and knowledge if they have been given supervision or instruction concerning use of the appliance in a safe way and understand the hazards involved. Children shall not play with the appliance. Cleaning and user maintenance shall not be made by children without supervision.
- Children should be supervised to ensure that they do not play with the appliance.

In cases of repeated or continuous shutdown a Gas Safe Registered Engineer, or in other countries a qualified and competent Gas Installer, should be called to investigate and rectify the condition causing this and carry out an operational test. Only the manufacturers parts are to be used for replacement.

Minimum Clearances

Clearances of **165mm (6 1/2")** above, **100mm (4")** below, **2.5mm (1/8")** at the sides and **450mm (17 3/4")** at the front of the boiler casing must be allowed for servicing.

Bottom clearance

Bottom clearance after installation can be reduced to 5mm.





This must be obtained with an easily removable panel, to enable the consumer to view the system pressure gauge, and to provide the 100mm clearance required for servicing.

To light the boiler. Refer to Boiler Controls

1. CHECK THAT THE ELECTRICITY SUPPLY TO BOILER IS OFF.
2. Set the mode knob control (A) to 'Off'.
3. Set the Domestic Hot Water temperature control (B) and Central Heating temperature control (C) to 'max'.
4. Ensure that all hot water taps are turned off.
5. Switch ON electricity to the boiler and check that all controls, e.g. timer and room thermostat, are ON (refer to mechanical timer instructions - Page 8).
6. Set the mode knob control to winter (☔ IIII).

If there is a central heating demand the boiler will commence the ignition sequence.

Note. In normal operation the boiler status display (D) will show codes:

-  Standby - no demand for heat.
-  CH being supplied.
-  DHW being supplied.
-  DHW preheat.

During normal operation the burner on indicator (E) will remain illuminated when the burner is lit.

Note : If the boiler fails to light after five attempts the fault code **L-2** will be displayed.

RESET PROCEDURE

To reset boiler, turn the mode control knob (A) to reset position and immediately turn knob back to required setting. The boiler will repeat the ignition sequence if a heat demand is present. If the boiler still fails to light consult a Gas Safe Registered Engineer, or in other countries a qualified and competent Gas Installer.

SECTION 1 - USERS INSTRUCTIONS

Operation

Winter conditions - i.e. CH and DHW required.

Ensure the mode knob control (A) is set to winter (☔ III)

The boiler will fire and supply heat to the radiators but will give priority to DHW on demand.

Summer conditions - i.e. DHW only required.

Set the mode knob control to Summer (☔).

Set the CH external controls to OFF.

Note. The pump will operate briefly as a self-check once every 24 hours, regardless of system demand.

Pre-heat is enabled if the pre-heat indicator (F) is lit. To switch pre-heat on or off move the DHW/Pre-heat control knob (B) fully clockwise and then return it to the required DHW temperature setting.

Control of water temperature

Domestic Hot Water

The DHW temperature is limited by the boiler controls to 64°C maximum at low draw-off rate, adjustable via the DHW temperature control (B).

Due to system variations and seasonal temperature fluctuations DHW flow rates/temperature rise will vary, requiring adjustment at the draw off tap : the lower the rate the higher the temperature, and vice versa.

Approx. flow temperatures for the boiler thermostat settings are:

Knob Setting	Flow Temperature
Minimum	40°C (104°F)
Maximum	64°C (147°F)

Central Heating

The boiler controls the central heating radiator temperature to a maximum of 80°C and a minimum of 45°C, adjustable via the CH temperature control (C).

The boiler is a high efficiency combination boiler which is most efficient when operating in condensing mode.

The boiler will operate in this mode if the CH temperature control (C) is set to the 'e' position (economy mode). This control should be set to maximum for very cold periods

To shut down the boiler

Set the mode knob control to OFF

To relight the boiler

Repeat the procedure detailed in 'To light the boiler'.

Frost protection

If the holiday home or park home is to be left unoccupied during cold periods when there is a threat of freezing, the domestic hot and cold water circuits must be drained as follows:

- Turn off the cold water supply
- Open all hot and cold water taps
- Open all drain plugs in the hot and cold water system (do not drain the central heating circuit, which should have been filled with antifreeze if installed in a caravan holiday home or park home).

Refer to the Holiday Home or Park Home owner's handbook for the drain plug positions and further instructions on draining down.

Please note there are no drain plugs on the boiler. Leave all taps and drain plugs open until next use to allow any residual water to continue to drain.

When installed in a Caravan Holiday Home or Park Home the heating circuit and radiators should be filled with an approved antifreeze (see section 4.8). The level of antifreeze should be checked annually by a competent person. If the home is occupied during very cold and freezing weather, the central heating should be run continuously and the room stat or thermostatic radiator valves set at a minimum of 15°C.

If the home is unoccupied for even a short period, the hot and cold water system must be drained down. This is the only way to guarantee against frost damage.

ALL FROST DAMAGE IS OUTSIDE OF THE WARRANTY.

Boiler Overheat Protection

The boiler controls will shut down the boiler in the event of overheating. Should this occur, a fault code *L-1* will be displayed.

Refer to fault chart.

Flame Failure

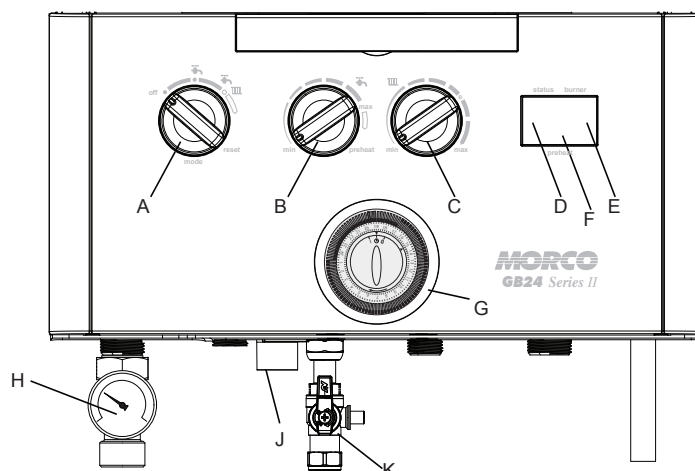
Should this occur a fault code *F-2* will be displayed. Refer to fault chart.

continued

BOILER CONTROLS

Legend

- A. Mode Control Knob
- B. DHW/Preheat Control Knob
- C. CH Control Knob
- D. Boiler Status
- E. Burner 'on' Indication
- F. Pre Heat on/off Indication
- G. Mechanical Timer
- H. Pressure Gauge
- J. Condensate Drain
- K. Gas Isolation Valve (on position shown)

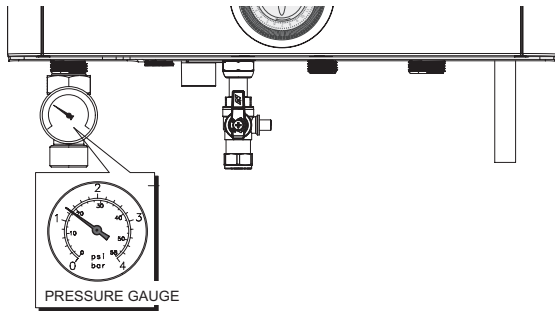


SECTION 1 - USERS INSTRUCTIONS

Loss of system water pressure

The pressure gauge indicates the central heating system pressure. If the pressure is seen to fall below the original installation pressure of 1-2 bar over a period of time then a water leak may be indicated. In this event re-pressurise the boiler. If unable to do so or if the pressure continues to drop a Gas Safe Registered Engineer, or in other countries a qualified and competent Gas Installer should be consulted.

INDICATED BY "F1" (LOW WATER PRESSURE) - THE BOILER WILL NOT OPERATE IF THE PRESSURE HAS REDUCED TO LESS THAN 0.3 BAR UNDER THIS CONDITION.



Condensate Drain

This appliance is fitted with a siphonic condensate trap system that reduces the risk of the appliance condensate from freezing. However should the condensate pipe to this appliance freeze, please follow these instructions:

- If you do not feel competent to carry out the defrosting instructions below please call your local Gas Safe Registered Engineer, or in other countries a qualified and competent Gas Installer for assistance.
- If you do feel competent to carry out the following instructions please do so with care when handling hot utensils. Do not attempt to thaw pipework above ground level.

If this appliance develops a blockage in its condensate pipe, its condensate will build up to a point where it will make a gurgling noise prior to locking out an "L2" fault code. If the appliance is reset it will make a gurgling noise prior to it locking out on a failed ignition "L2" code.

To unblock a frozen condensate pipe;

- Follow the routing of the plastic pipe from its exit point on the appliance, through its route to its termination point. Locate the frozen blockage. It is likely that the pipe is frozen at the most exposed point external to the building or where there is some obstruction to flow. This could be at the open end of the pipe, at a bend or elbow, or where there is a dip in the pipe in which condensate can collect. The location of the blockage should be identified as closely as possible before taking further action.
- Apply a hot water bottle, microwaveable heat pack or a warm damp cloth to the frozen blockage area. Several applications may have to be made before it fully defrosts. Warm water can also be poured onto the pipe from a watering can or similar. **DO NOT** use boiling water.
- Caution when using warm water as this may freeze and cause other localised hazards.
- Once the blockage is removed and the condensate can flow freely, reset the appliance. (Refer to "To Light the boiler")
- If the appliance fails to ignite, call your Gas Safe Registered Engineer, or in other countries a qualified and competent Gas Installer.

Preventative solutions

During cold weather, set the boiler stat to maximum, (Must return to original setting once cold spell is over)

Place the heating on continuous and turn the room stat down to 15°C overnight. (Return to normal after cold spell).

Escape of gas

Should a gas leak or fault be suspected contact the Gas Supplier without Delay. **TURN OFF ALL GAS SUPPLIES.**

Do NOT search for gas leaks with a naked flame.

Cleaning

For normal cleaning simply dust with a dry cloth.

To remove stubborn marks and stains, wipe with a damp cloth and finish off with a dry cloth.

DO NOT use abrasive cleaning materials.

Maintenance

The appliance should be serviced at least once a year by a Gas Safe Registered Engineer, or in other countries a qualified and competent Gas Installer.

MECHANICAL 24 HOUR TIMER

PROGRAMMING THE TIMER

- Decide what times you would like the timeswitch to switch ON and OFF.
- Push segments towards the programme ring for an OFF period and push away from ring for an ON period. The minimum switching interval is 15 minutes and this can be increased in 15 minute steps.
- Bring the timeswitch into the correct condition by manually turning the programme ring clockwise through a 24 hour cycle.
- Turn the programme ring clockwise until the correct time of day on the ring lines up with the time indicator.

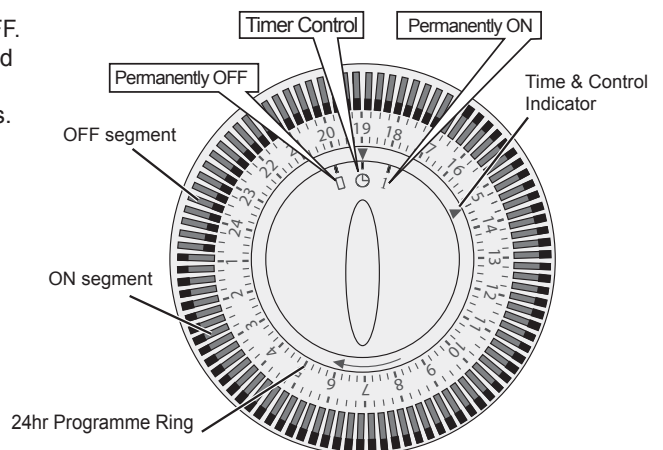
Note. The segment dial can be turned when the time controller is operating. In case of power failure, re-adjust the time controller to the correct time of day, turning the dial in a clockwise direction.

Permanent Override

By rotating the central switch so that the symbol (I) lines up with the time indicator (▼) the unit will be permanently ON.

With the symbol (⊖) lining up with the time indicator (▼) the unit acts as a timeswitch.

With the symbol (⊞) lining up with the time indicator (▼) the unit will be permanently OFF.



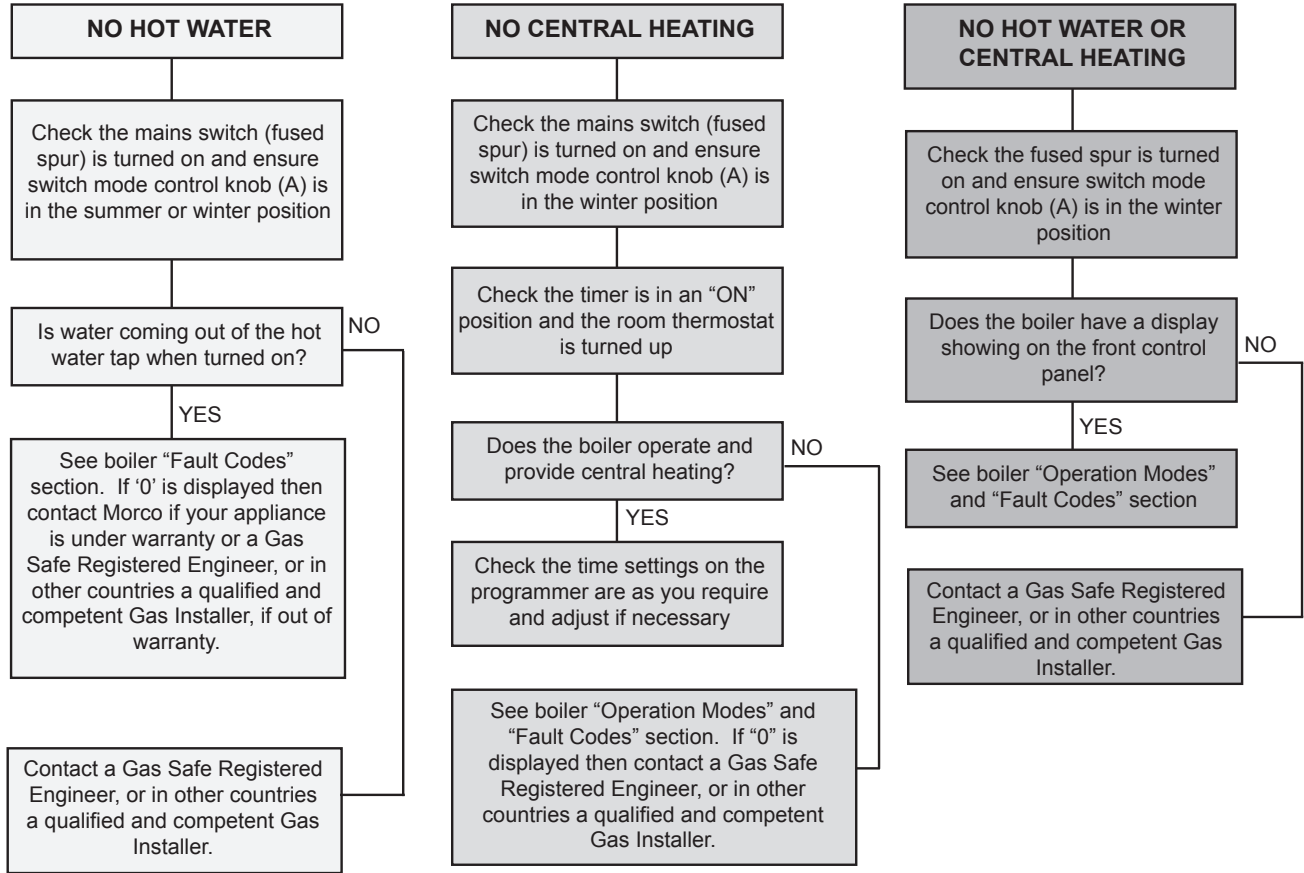
Timer control segments
1 Segment = 15 mins
Push towards programme ring = OFF
Push away from programme ring = ON

SECTION 1 - USERS INSTRUCTIONS

POINTS FOR THE BOILER USER

Note. In line with our current warranty policy we would ask that you check through the Troubleshooting guide to identify any problems external to the boiler prior to requesting a service engineers visit. Should the problem be found to be other than with the appliance we reserve the right to levy a charge for the visit, or for any pre-arranged visit where access is not gained by the engineer.

TROUBLESHOOTING



OPERATION MODES

Note. These letters are permanently displayed while in that mode.

DISPLAY CODE ON BOILER	DESCRIPTION
	The boiler is in standby mode awaiting either a central heating call or hot water demand.
	The boiler has a call for central heating but the appliance has reached the desired temperature set on the boiler.
	The boiler has a call for hot water but the appliance has reached the desired temperature set on the boiler.
	The boiler is operating in central heating mode.
	The boiler is operating in hot water mode.
	The boiler is operating in pre heat mode.
	The water in the central heating circuit is less than 5°C. If heating is switched on, this display code will change to "c".

SECTION 2 - GENERAL SPECIFICATIONS

2.1 GENERAL SPECIFICATIONS

The **Morco GB Series II** range of boilers are wall mounted, full sequence, automatic spark ignition low water content, fanned flue, high efficiency condensing combination boilers.

Note. Due to the high efficiency of the boiler a plume of water vapour will format the terminal during operation. The boiler is supplied for use with Propane only at 37mbar (30 mbar for DE) supply pressure. It is particularly suitable for caravan holiday home and park home use.

Maximum heat output in either heating or hot water for the GB24 is 24.2kW (82,570 Btu/hr)

Maximum heat output in heating mode for the GB30 is 24.3 kW (82,570 Btu/hr) with 30.3 kW (103,384 Btu/hr) available for hot water production.

The boiler can be supplied with a standard concentric flue with additional extensions, flue deflector and vertical flue kits available as optional extras. The only flueS that can be fitted are those detailed in this instruction manual.

The boiler is suitable for connection to fully pumped, sealed heating systems ONLY. Adequate arrangements for completely draining the system by provision of drain cocks must be provided in the installation pipework.

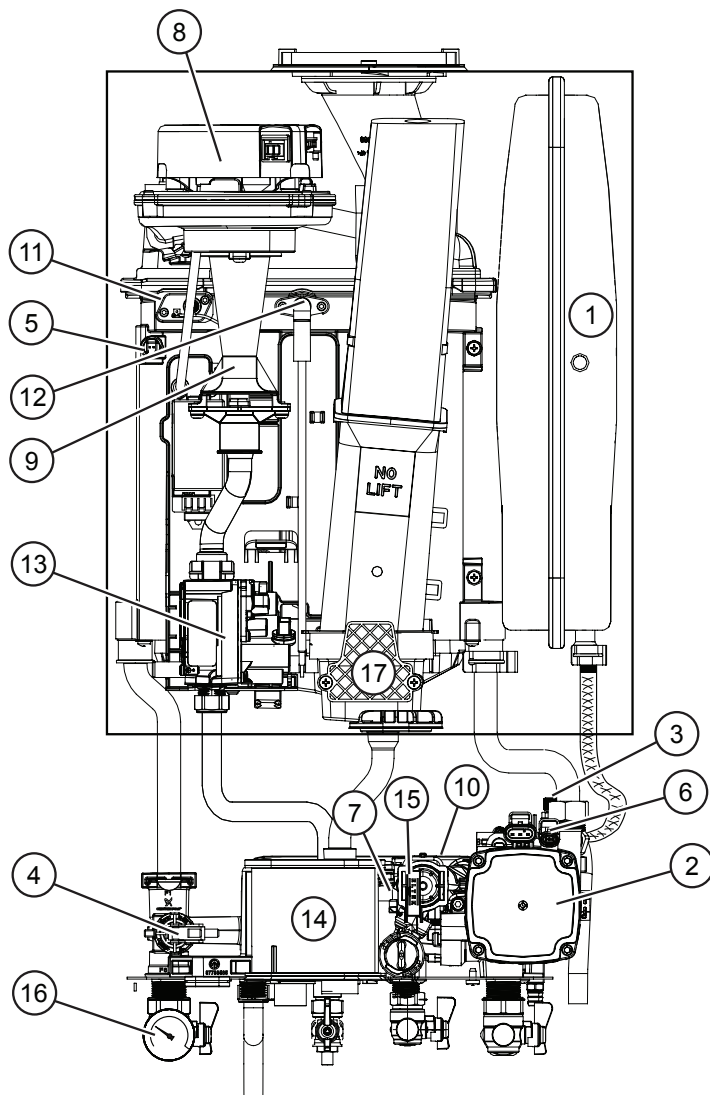
The boiler contains the following components:

Cast Aluminium Heat Exchanger
Domestic Hot Water Plate Heat Exchanger
Diverter Valve
Circulating Pump
Pressure Gauge
Safety Valve and Central Heating Expansion Vessel
Automatic Bypass
Daily Pump and Diverter Valve Exercise
Mechanical 24hr Timer

The boiler temperature controls are visible, located in the control panel. These enable the user to control both CH and DHW temperatures independently. There is the additional feature of a DHW preheat facility. Operating and fault codes are displayed on the status panel.

Schematic Diagram

- 1 Expansion Vessel
- 2 Pump
- 3 Auto Air Vent
- 4 Water Pressure Switch
- 5 Flow Thermistor
- 6 Return Thermistor
- 7 Divertor Valve
- 8 Fan
- 9 Venturi
- 10 DHW Plate Heat Exchanger
- 11 Ignition Electrode
- 12 Flame Detection Electrode
- 13 Gas Valve
- 14 Siphon / Trap
- 15 DHW Flow Turbine
- 16 System Pressure Gauge
- 17 Sump Cover



SECTION 3 - TECHNICAL DATA

Table 1 General Data

Morco GB Series II		24	30
Gas Supply		I _{2H3P} - G31 - 37mbar (I _{3P} G31 - 30mbar DE)	
Gas Supply Connection		15mm copper compression	
Injector Size	mm	3.75	3.75
Inlet Connection	Domestic Hot Water	G ½	
Outlet Connection	Domestic Hot Water	G ½	
Flow Connection	Central Heating	G ¾	
Return Connection	Central Heating	G ¾	
Flue Terminal Diameter	mm (in)	100 (4)	
Average Flue Temp-Mass Flow Rate	DHW	63°C - 11g/s	68°C - 13 g/s
Maximum Working Pressure (Sealed Systems)	bar (lb/in ²)	2.5 (36.3)	
Maximum Domestic Hot Water Inlet Pressure	bar (lb/in ²) (kPa)	10.0 (145) (1000)	
Minimum Domestic Hot Water Inlet Pressure*	bar (lb/in ²) (kPa)	0.8 (11.6) (80)	1.3 (18.9) (130)
Electrical Supply		230 V - 50 Hz.	
Power Consumption	W	146	152
Fuse Rating		External : 3A Internal : T4H HRC L250 V	
Water Content	Central Heating litre (gal)	1.2 (0.26)	
Domestic Hot Water	litre (gal)	0.5 (0.11)	
Packaged Weight	kg (lb)	33.8 (74.4)	34.1 (75.2)
Maximum Installation Weight	kg (lb)	31 (68.3)	31.2 (68.8)
Boiler Casing Size	Height	mm (in) 700 (27.5)	
	Width	mm (in) 395 (15.5)	
	Depth	mm (in) 285 (11.2)	

*Required for maximum flow rate. Boiler operates down to 2 l/min DHW delivery

Table 2 - Performance Data - Central Heating

Boiler Input :			Max.		Min.	
			24	30	24	30
Boiler Input 'Q'	Nett CV	kW	24.3	24.3	8.0	8.0
		Btu/h	82,912	82,912	27,296	27,296
	Gross CV	kW	26.4	26.4	8.7	8.7
		Btu/h	90,077	90,077	29,684	29,684
Gas Consumption		m ³ /h	1.00	1.25	0.329	0.329
		ft ³ /h	35.33	44.20	11.62	11.62
		kg/hr	1.83	2.26	0.58	0.58
Boiler Output :						
Non Condensing	kW	24.2	24.3	8.00	8.00	
		Btu/h	82,570	82,570	27,296	27,296
Condensing	kW	25.6	25.6	8.5	8.5	
		Btu/h	87,347	87,347	29,002	29,002
Seasonal efficiency* SEDBUK 2005				91%	91.1%	
Seasonal efficiency* SEDBUK 2009				89%	89%	
NOx Classification		CLASS 6				

Table 3 - Performance Data - Domestic Hot Water

Maximum DHW Input :		24	30
Nett CV	kW	24.3	30.4
	Btu/h	82,912	103,725
Gross CV	kW	26.4	33
	Btu/h	90,077	112,596
Gas Consumption	m ³ /h	1.00	1.25
	ft ³ /h	35.33	44.20
	kg/hr	1.83	2.26
Maximum DHW Output	kW	24.2	30.3
	Btu/h	82,570	103,384
DHW Flow Rate at 35°C temp. rise.	l/min	9.9	12.4
	gpm	2.2	2.8
DHW Specific Rate	l/min	11.5	14.5
	gpm	2.5	3.2

* The value is used in the UK Government's Standard Assessment Procedure (SAP) for energy rating of dwellings. The test data from which it has been calculated have been certified by a notified body.

Note. Gas consumption is calculated using a calorific value of 95.65 MJ/m³ (2569 Btu/ft³) gross or 88.0 MJ/m³ (2,360 Btu/ft³) nett

To obtain the gas consumption at a different calorific value:

- For l/s - divide the gross heat input (kW) by the gross C.V. of the gas (MJ/m³)
- For ft³/h - divide the gross heat input (Btu/h) by the gross C.V. of the gas (Btu/ft³)
- For m³/h - multiply l/s by 3.6.

Key to symbols

- PMS** = Maximum operating pressure of water
- C₁₃ C₃₃** = A room sealed appliance designed for connection via ducts to a horizontal or vertical terminal, which admits fresh air to the burner and discharges the products of combustion to the outside through orifices which, in this case, are concentric. The fan is up stream of the combustion chamber.
- I_{3P}** = An appliance designed for use on 3rd Family gas, Group P only.
- II_{2H3P}** = Appliances capable of using gases of Group H and gases of Group P.

SECTION 3 - TECHNICAL DATA

BOILER DIMENSIONS, SERVICES & CLEARANCES

The boiler connections are made on the boiler bulkhead fittings. The following minimum clearances must be maintained for operation and servicing.

Additional space will be required for installation, depending upon site conditions.

Side and Rear Flue

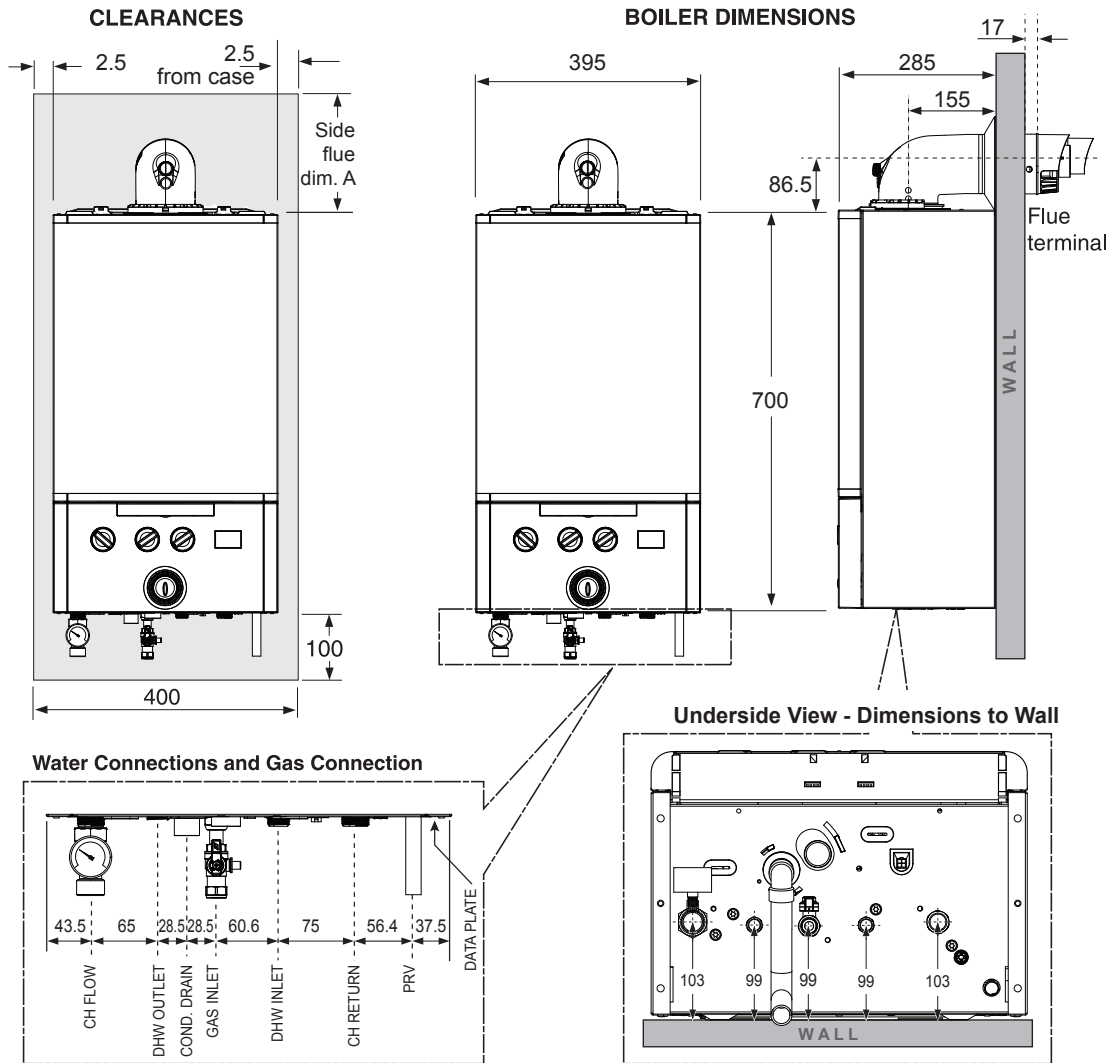
- a. Provided that the flue hole is cut accurately, e.g. with a core boring tool or hole cutter the flue can be installed from inside the dwelling where wall thicknesses do not exceed 600mm

(24"). Where the space into which the boiler is going to be installed is less than the length of flue required the flue must be fitted from the outside.

Installation from inside ONLY

- b. If a core boring tool or hole cutter is to be used inside the dwelling the space in which the boiler is to be installed must be at least wide enough to accommodate the tool.

In either of the above cases safe external access is required to allow the addition of sealant to seal the flue to the aluminium flue collar (RSF 060).



Front clearance

The minimum front clearance when built in to a cupboard is 5mm from the cupboard door but 450mm overall clearance is still required, with the cupboard door open, to allow for servicing.

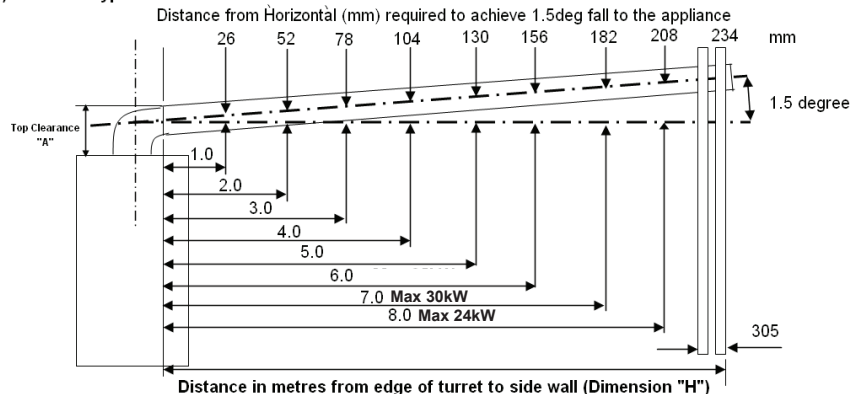
* Bottom clearance

Bottom clearance after installation can be reduced to 5mm.

This must be obtained with an easily removable panel, to enable the consumer to view the system pressure gauge, and to provide the 100mm clearance required for servicing.

Min Top Clearance "A" 165mm Rear flue type

(Min Top Clearance "A") SIDE Flue type



1. Dimension "H" must remain inside the Maximum flue length requirement for the designated output of the appliance being installed.
2. For flue lengths requiring "D" pack extensions (RSF 341), the flue must incline by 26mm per 1 Metre of flue length. No flue length greater than the maximum flue length shown above should be exceeded.

SECTION 4 - GENERAL INSTALLATION REQUIREMENTS

4.1 RECOMMENDATIONS

Current Gas Safety (Installation and Use) Regulation or Rules in Force.

The boiler is suitable only for installation in the specified countries and should be installed in accordance with the rules in force.

In GB, the installation must be carried out by a Gas Safe Registered Engineer, or in other countries a qualified and competent Gas Installer. It must be carried out in accordance with the relevant requirement of the:

- Gas Safety (Installation and Use) Regulations
- Appropriate National Standards
- The Water Fittings Regulations
- Current IEE Wiring Regulations
- Health & Safety Document No.635
- The Electricity at work Regulations 1989.
- BS5482 Part 1 Code of Practice for Domestic butane and propane gas burning installation in permanent dwellings, residential park homes and commercial premises.
- BSEN1949:2011 Specification for the installation of LPG Systems for habitation purposes in leisure accommodation vehicles and other road vehicles.

IMPORTANT

The manufacturer's notes MUST NOT be taken, in any way as overriding statutory obligations.

4.2 BOILER LOCATION

The boiler must be installed on a flat and vertical wall, capable of adequately supporting the weight of the boiler and any ancillary equipment.

The boiler may be fitted on a combustible wall and insulation between the wall and the boiler is not necessary unless required by National Standards.

For Electrical Safety reasons there must be no access available from the rear of the boiler.

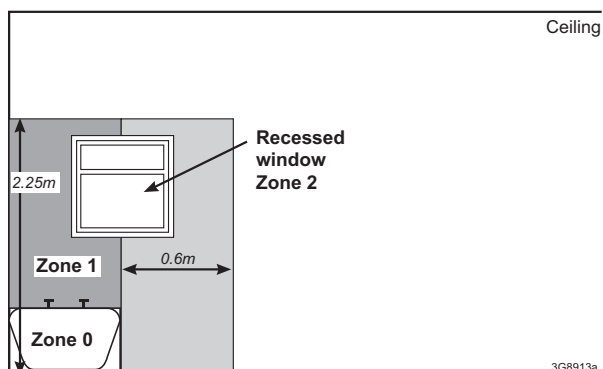
The boiler must not be fitted outside.

BATHROOM INSTALLATIONS

This appliance is rated IP20.

The boiler may be installed in any room or internal space, although particular attention is drawn to the requirements of the current IEE (BS.7671) Wiring Regulations and the electrical provisions of the building regulations applicable in Scotland, with respect to the installation of the boiler in a room or internal space containing a bath or shower. For IE reference should be made to the current ETCL rules for electrical installations and I.S. 813:2002.

If the appliance is to be installed in a room containing a bath or shower then, providing water jets are not going to be used for cleaning purposes (as in communal baths/showers), the appliance must be installed beyond Zone 2, as detailed in BS.7671.



COMPARTMENT INSTALLATIONS

A compartment used to enclose the boiler should be designed and constructed specially for this purpose.

An existing cupboard or compartment may be used, provided that it is modified for the purpose.

Braces for compartments must be easily removable for service access.

- The position selected for installation MUST allow adequate space for servicing in front of the boiler.

4.3 FLUE TERMINAL POSITION

Plumbing will occur at the terminal so avoid locations where this will cause a nuisance.

The boiler MUST be installed so that the terminal is exposed to external air.

It is important that the positions of the terminal allows the free passage of air across it at all times.

Minimum acceptable spacing from the terminal to obstructions and ventilation pump are specified in the table below.

For Caravan Holiday Homes; if the height of the flue terminal from any ground, decking or steps is under 1.5m then a suitable terminal guard should be fitted.

For Residential Park Homes, please refer to BS 5440 Part 1.

Terminal Guards are available from boiler suppliers.

TFC Flue Guard - Model K6 Round Plastic Coated.

www.tfc-group.co.uk

Table 4 - Balanced Flue Terminal Position

Flue Terminal Positions	Min. Spacing*
1. Directly below, above or alongside an opening window, air vent or other ventilation opening.	300mm (12")
2. Below guttering, drain pipes or soil pipes. <i>BS5440-1 2008</i>	25mm (1")* 75mm (3")
3. Below eaves. <i>BS5440-1 2008</i>	25mm (1")* 200mm (8")
4. Below balconies or a car port roof. <i>BS5440-1 2008</i>	25mm (1")* 200mm (8")
5. From vertical drain pipes or soil pipes. <i>BS5440-1 2008</i>	25mm (1")* 150mm (6")
6. From an internal or external corner or to a boundary along side the terminal. <i>BS5440-1 2008</i>	25mm (1")* 300mm (12")
7. Above adjacent ground, roof or balcony level.	300mm (12")
8. From a surface or a boundary facing the terminal.	600mm (24")
9. From a terminal facing a terminal.	1,200mm (48")
10. From an opening in a car port (e.g. door or window) into dwelling.	1,200mm (48")
11. Vertically from a terminal on the same wall.	1,500mm (60")
12. Horizontally from a terminal on the wall.	300mm (12")
Vertical Terminals	
13. Above the roof pitch with roof slope of all angles. Above flat roof.	300mm (12") 300mm (12")
14. From a single wall face. From corner walls.	300mm (12") 300mm (12")
15. Below velux window	2000mm (79")
16. Above or side of velux window	600mm (24")

* Only one reduction down to 25mm is allowable per installation otherwise BS5440-1 2008 dimensions must be followed.

SECTION 4 - GENERAL INSTALLATION REQUIREMENTS

4.4 AIR SUPPLY

It is NOT necessary to have a purpose provided air vent in the room or internal space in which the boiler is installed. Neither is it necessary to ventilate a cupboard or compartment in which the boiler is installed, due to the low surface temperature of the boiler casing during operation.

4.5 ELECTRICAL SUPPLY

WARNING

This appliance MUST be earthed.

Wiring external to the boiler MUST be in accordance with the correct IEE Regulations and any local regulations.

The boiler has been pre-fitted with a 3 amp fused approved moulded 3 pin plug and flying lead, for use with 230V 50Hz. The plug should be used with an unswitched/shuttered socket outlet complying with BS1363.

4.6 GAS SUPPLY

A propane gas supply at 37mbar is required (30 mbar for DE).

Ensure that regulator is of sufficient capacity to carry the maximum boiler input plus the full demand for any other installed appliances.

Ensure the connection between supply/cylinder to caravan holiday home or park home is designed so that no pressure drop occurs.

Ensure the pipework is of sufficient size to prevent a pressure drop greater than 2.5mbar between the final pressure regulator to the caravan holiday home or park home and all appliances when the installation is subjected to the anticipated **maximum** load.

IMPORTANT

Ensure all gas valve connections are gas tight with a gas soundness check up to the gas control valve.

The complete installation MUST be tested for gas soundness.

4.7 CONDENSATE DRAIN

A condensate drain is provided on this boiler.

The drain MUST be connected to an approved drainage point.

All pipework and fittings MUST be made of plastic. No other materials may be used.

Suitable protection against freezing should be undertaken.

4.8 WATER SYSTEMS - GENERAL

This boiler is designed for connections to fully pumped sealed system only.

IMPORTANT - A minimum length of 1 metre of copper pipe MUST be fitted to both central heating and DHW flow and return connections from the boiler before connection to any plastic piping.

Central Heating System

IMPORTANT - The sealed central heating system must be filled at all times with an antifreeze / inhibitor and water mix that is compatible with aluminium heat exchangers. The concentration levels of the antifreeze / inhibitor should be at least 25% in order to provide adequate corrosion protection. This level also provides protection against frost from -7.5°C to -11°C (depending on the product used). The maximum allowable level of antifreeze / inhibitor is around 40%.

The only products approved are as follows:

- Fernox Alpha 11
- Sentinel X500

Failure to use these products may result in damage to the boiler and / or the radiators in the heating system.

4.9 REQUIREMENTS FOR SEALED WATER SYSTEMS

At maximum CH output 24.2kW at a 20°C differential and flow rate 17.3 l/min a 3.4m wg head is available for the system

Set all radiators to give around 20°C temperature differential.

The boiler does not normally need a bypass but at least some radiators of load at least 10% of the minimum boiler output. These radiators should be fitted with lockshield valves only.

A sealed system MUST only be filled by a competent person using an approved filling loop (or other approved method) between the mains water supply pipe and the central heating return pipe.

Once used, the filling loop should be disconnected and capped off.

4.10 EXPANSION VESSEL

The boiler is fitted with an 8 litre expansion vessel which is sufficient for a cold fill capacity of up to 143 litres.

For other system volumes refer to table below.

Safety valve setting	bar	3.0	
Vessel charge pressure	bar	0.5 to 0.75	
System pre-charge pressure	bar	None	1.0
System volume (litres)		Expansion vessel volume (litres)	
25		1.6	1.8
50		3.1	3.7
75		4.7	5.5
100		6.3	7.4
125		7.8	9.2
150		9.4	11.0
175		10.9	12.9
190		11.9	14.0
200		12.5	14.7
250		15.6	18.4
300		18.8	22.1
For other system volumes multiply by the factor across		0.063	0.074

4.11 PRESSURE RELIEF VALVE

A pressure relief valve set at 3 bar is fitted to the boiler. The connection is shown in the dimensions and connection details.

The discharge pipework must be suitable for use with 3bar water at 110°C without damage to property and persons.

The run and exit point of the pipework should not leave a hazard or be prone to freezing up.

4.12 DHW SYSTEMS

Check that the mains supply pressure is within the units stated in the technical data section in this manual

A pressure reducing valve should be fitted if above 10 bar.

In areas of low mains water pressures the domestic hot water regulator may be removed (by a suitably qualified person). The boiler will require the flow rate to be set to give a temperature of 35°C at the tap furthest from the boiler.

In hard water areas where mains water exceeds 200ppm total hardness, the fitting of a scale reducing device is recommended (with the requirements of the local water company).

The use of artificially softened water, however, is not permitted.

The boilers are suitable for connection to most types of washing machine and dishwasher appliances.

SECTION 5 - INSTALLATION INSTRUCTIONS

5.1 BOILER PACKAGING

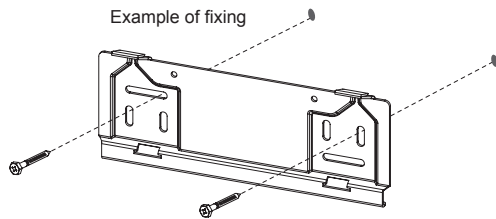
The boilers are supplied in different packagings:

- Boiler
- Flue System (separate)
- Hardware Pack (separate)

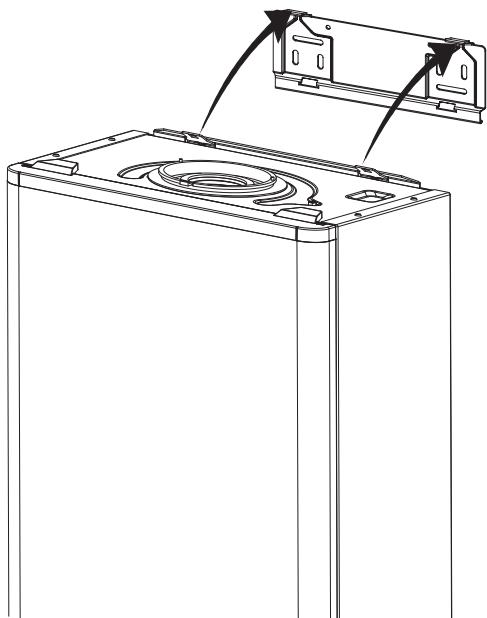
5.2 FITTING/MOUNTING THE BOILER

Decide where the boiler is to be fixed on the wall, taking into account installation requirements detailed in previous section.

1. Screw the wall mounting plate to the wall choosing one of the two sets of slots in left and right bank. Ensuring that at least one of the screws is fitted into a top slot.



2. Lift the boiler onto the wall mounting plate, locating it over the two tabs.



Note. If present, remove the bottom end support packaging and ensure all plastic plugs are removed from CH & DHW connections.

5.3 WIRING INSTRUCTIONS

WARNING: THIS APPLIANCE MUST BE EARTHED

Connections must be made in such a way that allows complete isolation of the electrical supply, e.g. double pole switch with 3mm contact separating in both poles.

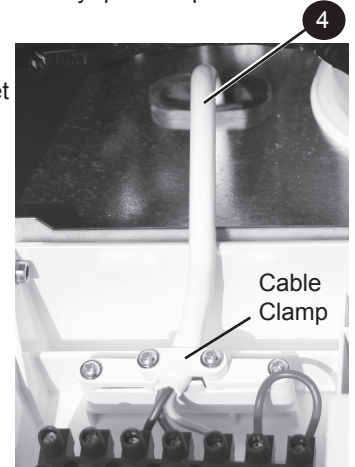
5.4 INTERNAL WIRING

The boiler has been pre-fitted with a 3 amp fused approved moulded 3 pin and flying lead for use with 230V 50Hz.

If the supply cord is damaged, it must be replaced by the manufacturer, its service agent or similarly qualified persons in order to avoid a hazard.

The plug should be used with an unswitched/shuttered socket outlet complying with BS1363.

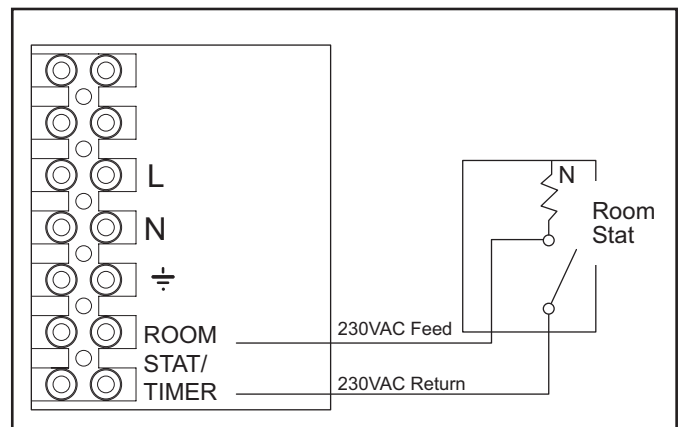
The boiler comes pre-fitted with a link wire between the room thermostat/Timer connections on the terminal strip. This creates a permanent call for heat and must be removed when adding a room thermostat.



ROOM THERMOSTAT - WIRING

To fit a room thermostat proceed as follows:

1. Ensure that the electrical supply to the boiler is isolated **before** proceeding.
2. Remove the two screws beneath the flap on the front of the boiler and lower the front panel.
3. Remove the pre-fitted link wire between the Room stat/timer terminals.
4. Pass the cable through a grommet, secure with the cable clamp and connect the room stat as shown in the diagram below.
5. If room stat has a neutral connection, connect this to terminal N (load) in the fused spur.
6. Carry out all necessary electrical checks.
7. Raise the front panel and relocate the two screws under the small flap.
8. Check operation of room stat if possible.



SECTION 5 - INSTALLATION INSTRUCTIONS

5.5 WATER AND GAS CONNECTIONS

Ensure all boss blanking plugs are removed before making any connections.

Each valve must be fitted to the correct boss as shown in diagram below

Do not subject any of the isolating valves to heat as the seals may be damaged.

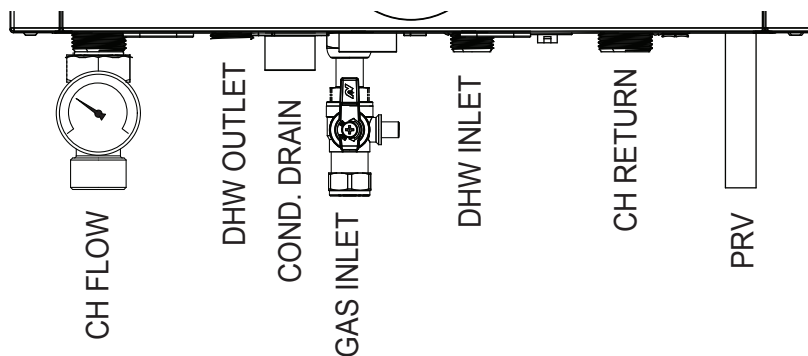
Ensure that the green fibre washer is used on the CH flow connection.

IMPORTANT - The gas service cock is sealed with a top hat washer - DO NOT subject to heat.

Pressure Relief Valve (PRV) - Located at the bottom right hand side of the boiler connection via a 15mm diameter stub pipe.

Use a replaceable connection to ease the replacement of the valve if required.

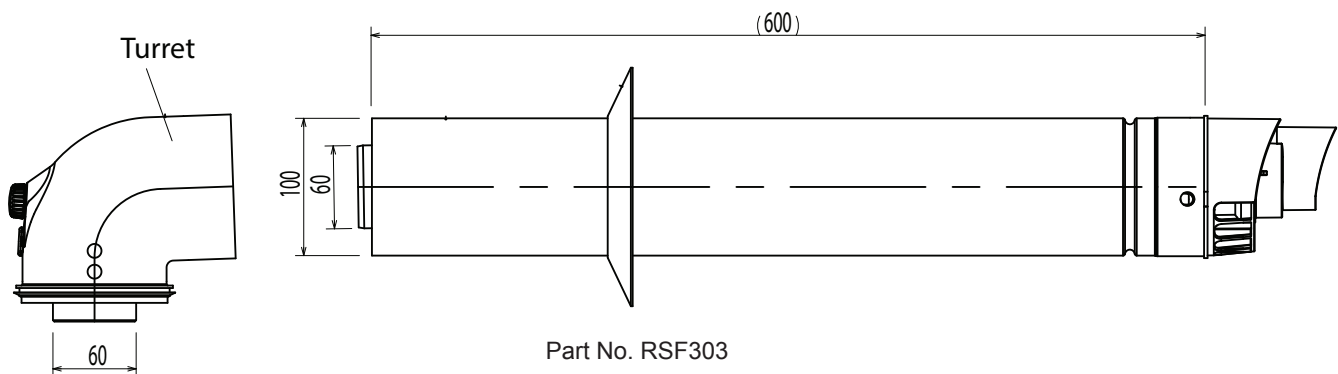
Ensure a safe discharge point using temperature and pressure resistant materials.



5.6 AIR / FLUE SYSTEMS

The flue system is part of the appliance and is approved as such. Only use the flue systems supplied by Morco.

The standard flue kit (RSF303) for the Morco GB range is a 600mm as shown below. There is also a 900mm kit available (RSF305).



The minimum cut length is 138mm (includes 30mm into elbow)

The maximum allowable length using extensions (RSF341) is:

GB24 Series II - 8m (minus any flue kit options)

GB30 Series II - 7m (minus any flue kit options)

SECTION 5 - INSTALLATION INSTRUCTIONS

5.7 DETERMINING THE FLUE LENGTH

IMPORTANT. The boiler must be installed in a vertical position in accordance to the installation instructions.

STANDARD FLUE KITS

Horizontal Flue Terminal RSF303 (600mm long) - contains: Flue turret, non telescopic single piece flue incorporating a terminal and inner rubber wall seal.

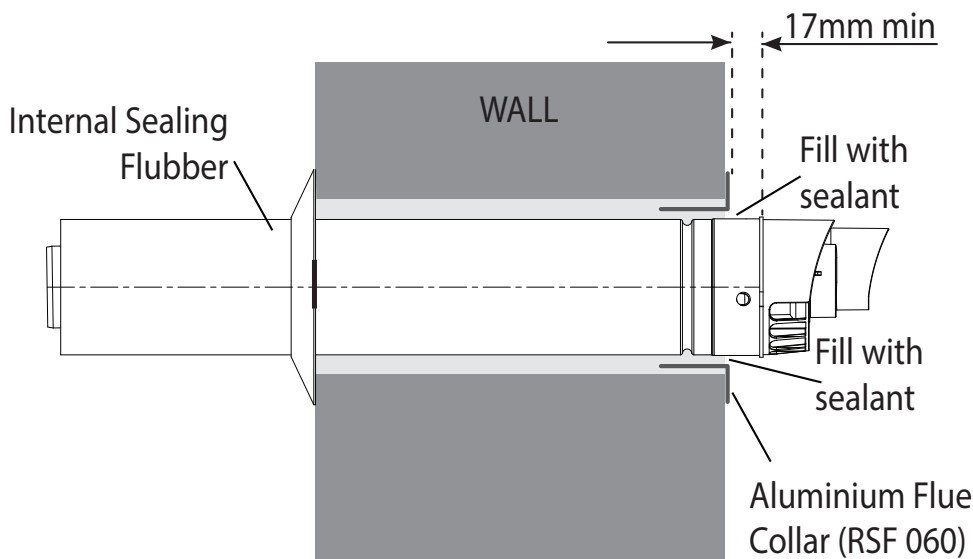
Extension Kit RSF341 - contains: 1 metre length of flue pipe (Functional length 950mm), 1 support bracket.

When extension kits are used the flue duct must incline 1.5 degrees away from the appliance, to allow the condensate to drain back to the boiler and out of the condensate drain. It is recommended that a support bracket is fitted on every 1 metre of pipe work used and the bracket is located as close to the collar as possible. The bracketing must ensure a 1.5 degree fall back to the appliance.

Only use water as a lubricant during assembly.

The horizontal flue kit terminal is classed as part of the maximum flue length.

Once the flue is installed it is IMPORTANT that the white air duct protrudes from the aluminum flue collar (RSF 060) by at least 17mm. The gap between the aluminium flue collar (RSF 060) and the white air duct MUST be sealed with sealant to create an adequate seal.



It is IMPORTANT that all attachments are fitted in accordance with the installation instructions provided in this manual.

The TURRET supplied in the Horizontal Flue Kits (RSF303 & RSF305) has an upper combustion sample point with a screw cap seal and a lower air sample point with an air stopper seal. Ensure all caps & seals are in place.

Additional Termination Kits available for use with these Horizontal Flue Kits (RSF303 & RSF305)

Flue Deflector Kit (RSF300)	The resistance is the equivalent of 1 metre of flue pipe and therefore must be deducted from any maximum flue length
-----------------------------	--

Total Maximum Permissible Horizontal Concentric Flue Length combining both Horizontal Flue Kits and Extension Kits (Measured from centreline of the turret to the outside face of the aluminium flue collar (RSF060))

24 kW appliances	Total Maximum: 8 metres - minus any flue kit options
30 kW Appliances	Total Maximum: 7 metres - minus any flue kit options

Total Maximum Permissible Vertical Flue Length

24 & 30kW Appliances	Total Maximum: 7.5 Metres - minus any 90° bends
----------------------	---

Minimum Horizontal Flue Lengths (Centre line of turret to outside face of the aluminium flue collar (RSF060))

Rear Flue - 191mm

Side Flue - 236mm (with minimum 2.5mm clearance)

SECTION 5 - INSTALLATION INSTRUCTIONS

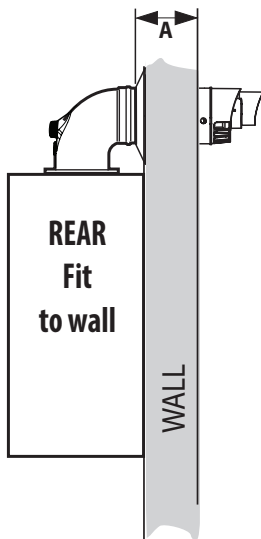
5.8 DETERMINING THE FLUE LENGTH

FIGURE 1

REAR FLUE

Cut flue length = distance from edge of turret to outside of wall dimension A + 47mm.

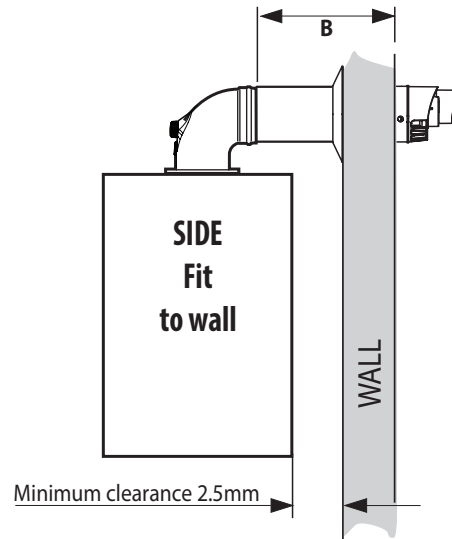
Note. Minimum dimension A which can be accommodated is 91mm.



SIDE FLUE

Cut flue length = distance from edge of turret to outside of wall dimension B + 47mm.

Note. Minimum dimension B which can be accommodated is 136mm (with minimum clearance of 2.5mm).

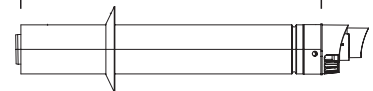


NOTES

Centre of turret to edge of turret = 100mm
 Turret has a flue insertion of 30mm
 The white outer flue tube must protrude the wall by 17mm.
 From centreline of turret to wall. Rear mount 155mm, side (including clearance) 200mm

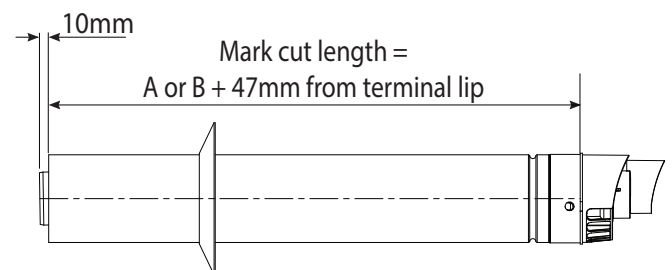
Flue length measured from outer terminal lip to end of outer flue

← A or B + 47mm →



5.9 CUTTING HORIZONTAL FLUE TERMINAL RSF303 (600MM LONG)

1. Measure from the outer terminal lip to end of outer flue. Mark the required cut length (A or B + 47mm) around the circumference of the outer flue and cut following the mark to ensure its cut square.
2. Dress the cut end to make sure all burr's are removed and the cut edge is in its original shape.
3. Mark the inner tube 10mm longer than the outer tube around its circumference and cut following the mark to ensure its cut square.
4. Remove all burrs and place a light chamfer on the outer edge to aid assembly.



SECTION 5 - INSTALLATION INSTRUCTIONS

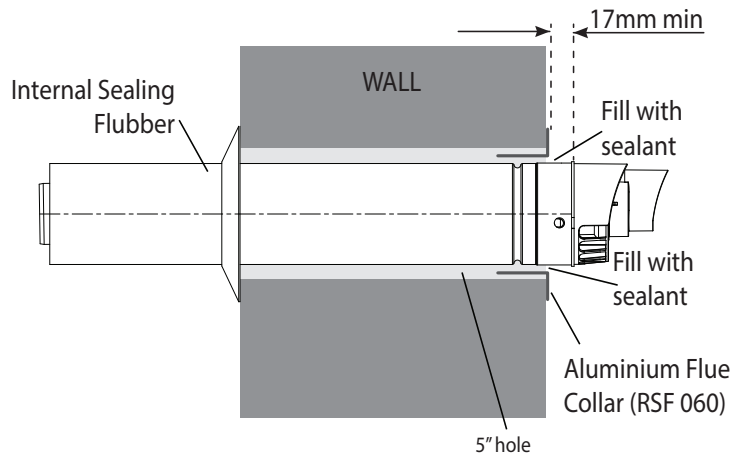
5.10 INSTALLING THE FLUE

FITTING FLUE THROUGH THE WALL

1. Ensure the seam and the outlet terminal are at the top and fitted as shown.
2. Once the flue is installed it is **IMPORTANT** that the white air duct protrudes from the aluminium flue collar (RSF 060) at least 17mm.

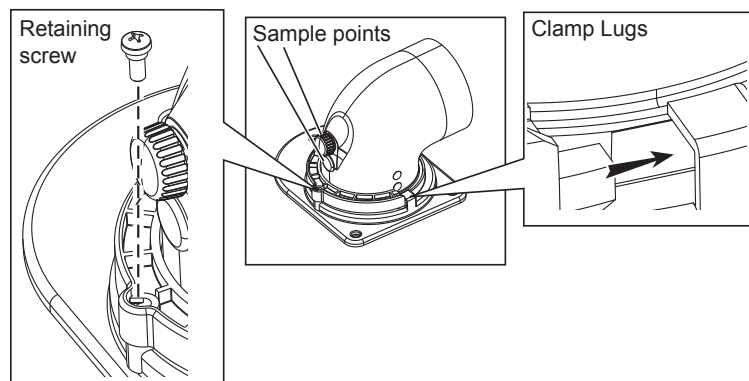
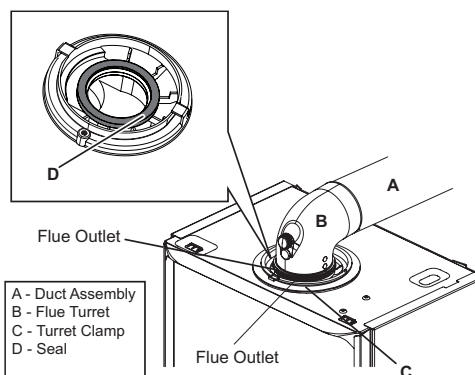
Note. If less than 50% of the length of the flue is internal the flue should be fitted from outside.

3. Fit the internal sealing flubber to the flue (leave loose) and check protrusion externally of the white air duct is 17mm.
4. Fit the turret as below



FITTING THE TURRET - Ensure the condensate trap / siphon is filled with water

1. Ensure the rubber seal is fitted correctly on the appliance manifold and that all flue seals are undamaged.
2. Hold the flue firmly and push the turret on until it has travelled 30mm on to the flue pipe and is fully engaged. Make sure the flue has not rotated or moved forward during fitting and the flue seam is upper most.
3. Push the turret into the manifold ensuring the upper plastic lip is flush with the top of the manifold.
4. Fully engage the clamp location section into the manifold location holes. Rotate down on to turret flange.
5. Secure clamp to appliance using securing screw.
6. Ensure all sample points are accessible and all sample plugs and caps are fitted.
7. Fully engage the flue into the turret and slide internal flubber to wall.
8. The gap between the aluminium flue collar (RSF 060) and the white air duct **MUST** be sealed with sealant to create a seal.



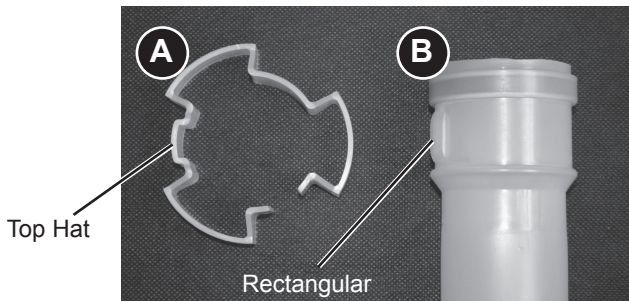
SECTION 5 - INSTALLATION INSTRUCTIONS

5.11 FLUE EXTENSIONS (RSF341) - OPTIONAL

For side outlet refer to section 1.2 before connecting.

INNER PIPE ASSEMBLY INSTRUCTIONS

1. Make sure that 'top hat' on the collar (A) fits over the rectangular form on the inner plastic pipe (B).



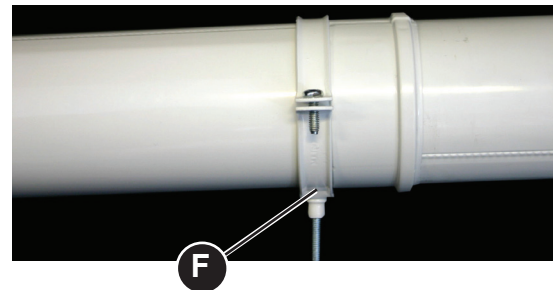
2. Ensure that the flat base of the collar (C) is positioned on the bottom lip of the pipe (D).



3. Slide the pipe and collar assembly back into the outer housing (E), note that this can only be done at the female end of the outer housing.



4. When fitting support brackets (F) make sure they are positioned on the female side of the neck as shown.



5.12 FLUE DEFLECTOR KIT (RSF300) - OPTIONAL

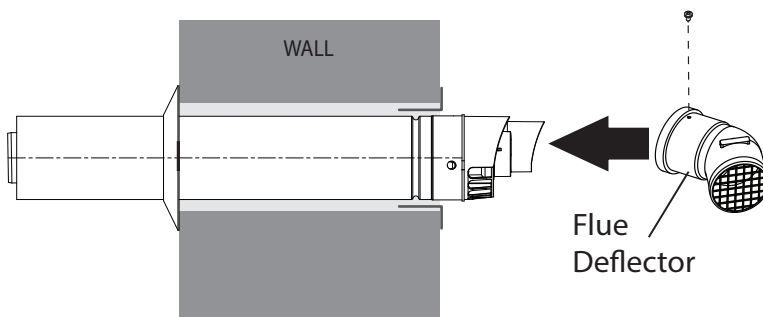
The flue deflector elbow can be fitted to the flue outlet of the standard terminal kits RSF303 or RSF305 to deflect the flue products horizontally to the left or the right only.

1. Refer to the boiler Installation and Servicing Instructions for fitting of the boiler and its flue system.

Note. The resistance of the deflector is equivalent to 1 metre of flue length. Ensure this is used when calculating the maximum allowable flue length.

2. Choose the direction required to deflect the flue products (horizontally left or right only).
3. Push the deflector elbow onto the angled flue outlet of the terminal in the desired position and ensure the deflector is pushed up to the shoulder to fully engage the rubber seal. Drill the terminal through the hole in the deflector with a 3.2mm (1/8") drill and secure the deflector with the self tapping screw provided.

Note. Only use water as a lubricant during assembly. Do not use mineral based oils.

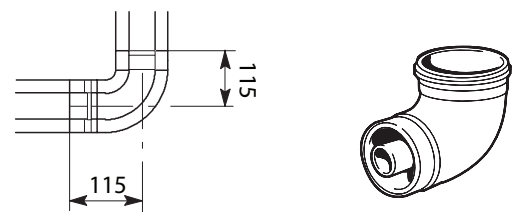


5.13 90° KIT RSF315 (OPTIONAL)

This optional kit can be used on both horizontal and vertical flue kits

1. Use dimensions below for calculating total length
2. When cutting extensions or flue kits always allow sufficient (+ 30mm air duct + 14mm flue duct) to allow for correct engagement in the fitting
3. 1 elbow reduces the maximum available length by 1m

Note. Only use water as a lubricant during assembly. Do not use mineral based oils.



SECTION 5 - INSTALLATION INSTRUCTIONS

5.14 FITTING THE OPTIONAL ROOF FLUE KIT (RSF345) (Pitched)

Note.

A 5° or 14° pitched roof plate (not supplied) is required before proceeding with the installation of this kit.

This kit is suitable for both 5° and 14° pitched roof terminations, using a concentric flue to run vertically from the top of the boiler and terminating above roof level.

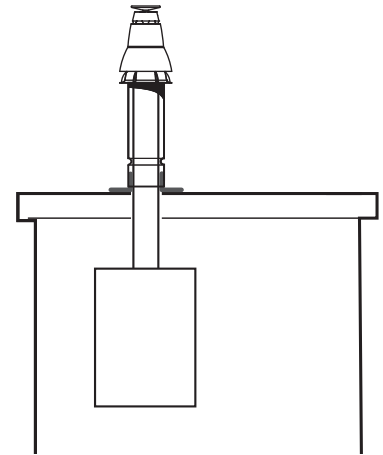
Connection to the top of the boiler is made using a vertical connector (supplied in the kit - RSF346).

WEATHER PROOFING

Where the flue passes through the roof line an adequate seal must be made. This is achieved by using a suitable sealant.

ACCESSORIES

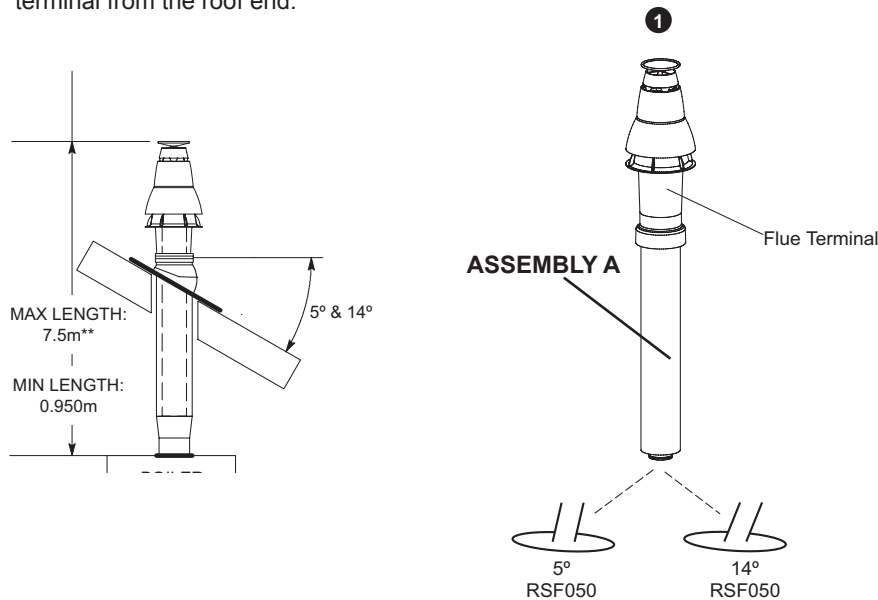
Flue Duct Extension Kits are available for flue lengths extending beyond 1m. These packs contain 1m extension ducts and may be cut to the desired length. If 90° elbows are used (RSF315) they will reduce the overall height by 1m per elbow.



Terminal Position	Minimum Dimension
Directly below an opening, air brick, windows, etc.	300 mm
Below plastic / painted gutters	300 mm
Painted surface	300 mm
Below eaves or balcony	500 mm
Below velux windows	2000mm
Above or side of velux windows	600mm

5.15 ASSEMBLING THE ROOF FLUE KIT

1. Position the roof plate (supplied separately) over the hole cut in the roof and insert flue terminal from the roof end.



2. Ensure that if the length needs to be adjusted to allow an additional 30mm added to the outer air tube length 14mm added to the inner flue length. This allows correct engagement into the vertical connector.

Note. Ensure a square cut. remove all burrs and sharp edges.

3. Fit the vertical connector (supplied in the kit) and secure the vertical connector by applying downward pressure on the connector.

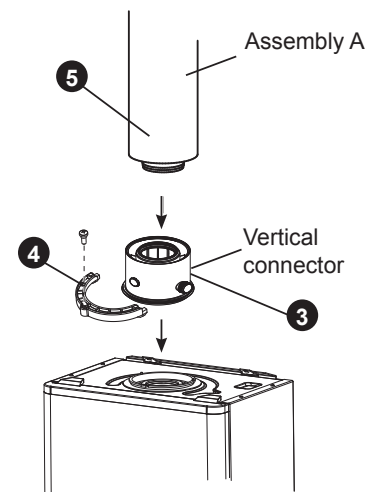
4. Position the clamp on the top face of the flue manifold and push it horizontally backwards. Locate both clamp lugs into the flue manifold and secure to the flue manifold clamp with the M5 retaining screw.

5. "Push" assembly A into vertical connector.

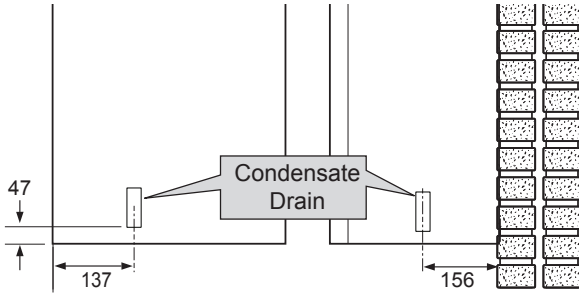
Notes. Ensure turret sample points are servicable and all caps and plugs are fitted.

Ensure condensate siphon/trap is filled with water.

6. Finally ensure the roof plate is correctly sealed to the roof.



5.16 CONDENSATE DRAIN



This appliance is fitted with a siphonic 75mm sealed condensate trap system that requires filling before operating the appliance for the 1st time or after maintenance.

All condensate pipework should conform to the following:

- Where a new or replacement boiler is being installed, access to an internal 'gravity discharge' termination should be one of the main factors considered in determining boiler location.
- Plastic with push fit or solvent connections.
- Internal plastic pipe work a minimum of 19mm ID (typically 22mm OD)
- External plastic pipe must be a minimum of 30mm ID (typically 32 OD) before it passes through the sleeved wall.
- All horizontal pipe runs, must fall a minimum of 45mm per metre away from the Boiler.
- External & unheated pipe work should be kept to a minimum and insulated with Class "O" waterproof pipe insulation.
- All installations must be carried out in accordance to the relevant connection methods as shown in the "Condensate installation diagrams" & BS6798:2009
- Pipe work must be installed so that it does not allow spillage into the dwelling in the event of a blockage (through freezing)
- All internal burrs should be removed from the pipe work and any fittings.

NB. Clip runs to prevent pipework disconnecting due to vibration etc.

In order to minimise the risk of freezing during prolonged very cold spells, one of the following methods of terminating condensate drainage pipe should be adopted.

Internal Drain Connections

Wherever possible, the condensate drainage pipe should be routed to drain by gravity to a suitable internal foul water discharge point such as an internal soil and vent stack or kitchen or bathroom waste pipe etc. See Figs 1 and 2.

Condensate Pump

Where gravity discharge to an internal termination is not physically possible or where very long internal pipe runs would be required to reach a suitable discharge point, a condensate pump of a specification recommended by the boiler or pump manufacturer should be used terminating into a suitable internal foul water discharge point such as an internal soil and vent stack or internal kitchen or bathroom waste pipe etc. (fig 3).

External Drain Connections

The use of an externally run condensate drainage pipe should only be considered after exhausting all internal termination options as described previously. An external system must terminate at a suitable foul water discharge point or purpose designed soak away. If an external system is chosen then the following measures must be adopted:

The external pipe run should be kept to a minimum using the most direct and "most vertical" route possible to the discharge point, with no horizontal sections in which condensate might collect.

- For connections to an external soil/vent stack see Fig 4. Insulation measures as described should be used.
- When a rainwater downpipe is used, an air break must be installed between the condensate drainage pipe and the downpipe to avoid reverse flow of rainwater into the boiler should the downpipe become flooded or frozen, see Fig 5.
- Where the condensate drain pipe terminates over an open foul drain or gully, the pipe should terminate below the grating level, but above water level, to minimise "wind chill" at the open end. The use of a drain cover (as used to prevent blockage by leaves) may offer further prevention from wind chill. See Fig 6.
- Where the condensate drain pipe terminates in a purpose designed soak away (see BS 6798) any above ground condensate drain pipe sections should be run and insulated as described above. See Fig 7

Unheated Internal Areas

Internal condensate drain pipes run in unheated areas should be treated as external pipe.

Ensure the customer is aware of the effects created by a frozen condensate and is shown where this information can be found in the user manual.

Figure 1 - Connection of Condensate Drainage Pipe to Internal Soil & Vent Stack

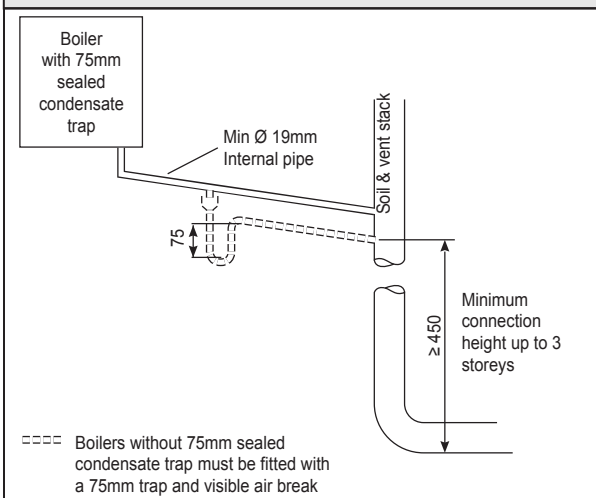
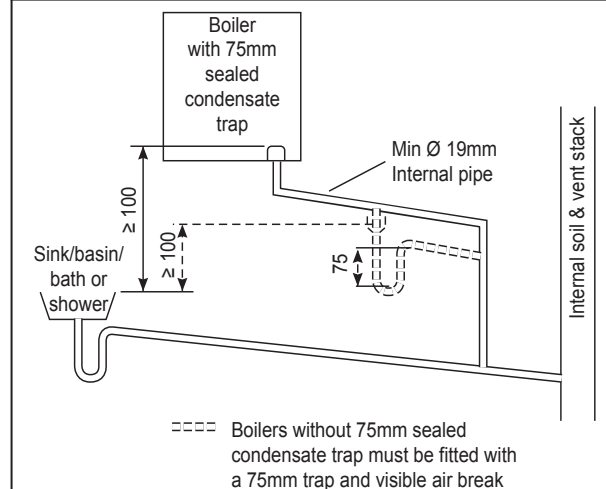


Figure 2 - Connection of a Condensate Drainage Pipe Downstream of a Sink, Basin, Bath or Shower Water Trap to Internal Soil Vent Stack



continued

SECTION 5 - INSTALLATION INSTRUCTIONS

CONDENSATE DRAIN - CONT'D.....

Figure 3 - Connection of a Condensate Pump Typical Method (see manufacturers detailed instructions)

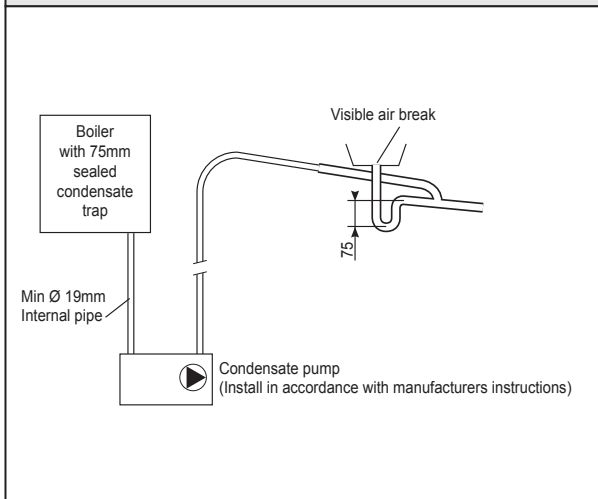


Figure 4 - Connection of Condensate Drainage Pipe to External Soil & Vent Stack

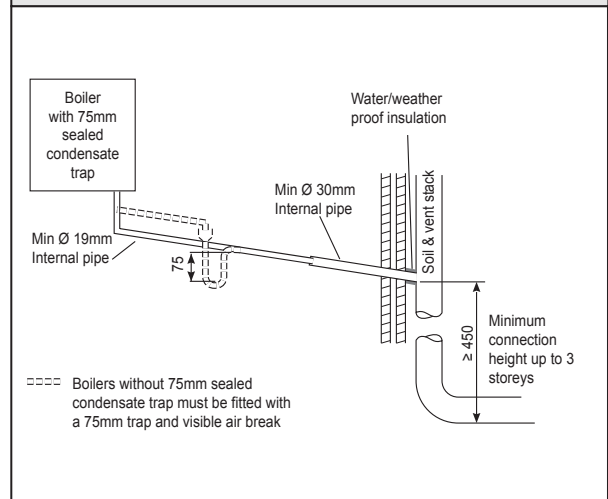


Figure 5 - Connection of a Condensate Drainage Pipe to an External Rainwater Downpipe (only combined foul/rainwater drain)

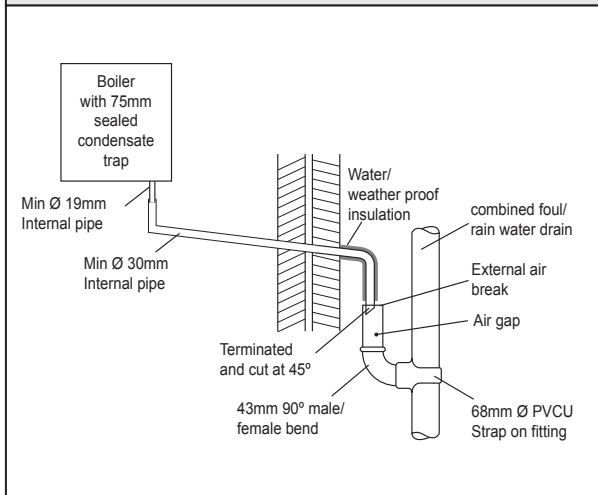


Figure 6 - Connection of Condensate Drainage Pipe Upstream of a Sink, Basin, Bath or Shower Waste Trap to External Drain, Gully or Rainwater Hopper

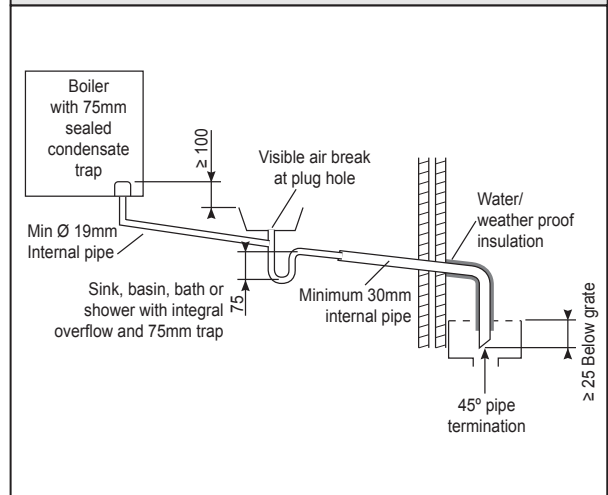
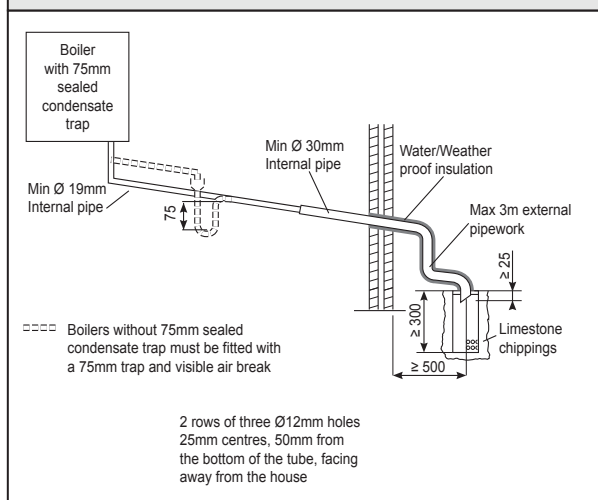


Figure 7 - Connection of a Condensate Drainage Pipe to an External Purpose Made Soak Away.



SECTION 6 - COMMISSIONING INSTRUCTIONS

Before commissioning the boiler, the whole gas installation including the meter (if fitted) MUST be purged and tested for gas soundness.

Purge air from the gas installation by the approved methods only.

WARNING. Whilst effecting the required gas soundness test and purging air from the gas installation, open all windows and doors, extinguish naked lights and DO NOT smoke.

Ensure that the flue has been installed correctly and no vents are blocked. Before commencing commissioning, ensure that the CH system and DHW and cold water system have been flushed. The CH system needs to be treated with water treatments that are approved for use with aluminium alloy heat exchangers.

GENERAL

Please Note: The combustion for this appliance has been checked, adjusted and preset at the factory for operation on the gas type defined on the appliance data plate. As part of the commissioning process, the combustion of this appliance must be checked. A flowchart to assist is provided on page 37.

DO NOT adjust the air/gas ratio valve.

Having checked:

- That the boiler has been installed in accordance with these instructions.
- The integrity of the flue system and the flue seals, as described in the Flue Installation section.

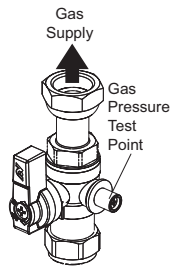
Proceed to put the boiler into operation as follows:

CHECK THE OPERATIONAL (WORKING) GAS INLET PRESSURE

Set up the boiler to operate at maximum rate by opening hot tap to maximum flow.

With the boiler operating in the maximum rate condition check that the operational (working) gas pressure at the inlet gas pressure test point complies with the requirements - refer to "Gas Supply" on page 15.

Ensure that this inlet pressure can be obtained with all other gas appliances in the property working at maximum.



6.1 DOMESTIC HOT WATER

Turn on the main cold water supply.

Fill and vent the installation by turning on and off the various hot water taps in the installation.

Check hot water taps in the installation.

Check for and repair leaks as necessary.

6.2 CENTRAL HEATING CIRCUIT

Fill the siphon in the condense pipework prior to operating.

In order for the boiler to function correctly, the pressure in the central heating circuit must be between 1 and 1.5 bar on the pressure gauge.

Both the boiler and central heating installation must be purged of any air. The boiler has an auto air vent integral to the pump which must be loose prior to commissioning.

Add an approved flushing solution to one of the radiators.

Fill the central heating circuit using one of the approved methods to 1 bar.

Open radiator vent screws and turn off when water appears.

Turn off the filling method and disconnect.

With the system hot, examine all water connections. The system pressure should not exceed 2.5 bar.

Turn off gas, water and electricity when draining down.


Refill and vent the system, add inhibitor and anti-freeze in the required concentration and check for water leaks.

Check that the condensate operates and the pipework for any leaks.

6.3 INITIAL OPERATION

Ensure central heating circuit is full and vented, and pressure gauge is reading 1.0 bar.

6.4 DOMESTIC HOT WATER MODE

Turn the "mode" control knob to tap/radiator icon . Ensure all external controls are calling for heat. Set the integral timer to ON.

Display reads "C" then "C"  when burner is lit.

Ensure all radiators warm up evenly. The CH temperature can be controlled in between max 80°C and min 45°C (flow temp).

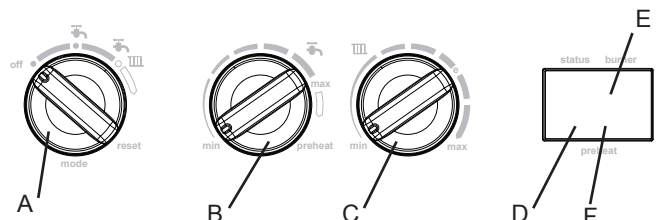
Check the DHW functions by turning on a hot water tap.

Close the DHW tap and set the integral timer and external controls to off.

Display will read "0".

Legend

- | | |
|------------------------|-------------------------------|
| A. Mode Control Knob | D. Boiler Status |
| B. DHW/Preheat Control | E. Burner 'on' Indication |
| C. CH Control | F. Pre Heat on/off Indication |



THE DISPLAY

The user control has one neon and one display to inform the user about the status. The display will show the status of the boiler. The neon will show the status of the flame. If no flame is detected the neon is off. When the flame is detected the neon will be lit permanently.

Below is a list with display function in normal operation.

- 0* Standby, no demand for heat present.
- c* Boiler is active for central heating.
- d* Boiler is active for domestic hot water.
- P* Boiler is heating up the plate heat exchanger.
- F* CH circuit water less than 5°C.

Below is a list with display in fault condition. If the display is flashing with "L" or "F" with alternate numbers / letters refer to page 34.

- L* Boiler is in lockout for a specific error. Display will be blinking, alternating with a number or letter to show which error is detected.
- F* Boiler has a fault for a specific error. Display will be blinking, alternating with a number or letter to show which error is detected.
- 5* Service mode

6.5 FINAL CHECKS

Re-light and test for gas soundness.

Set the CH and DHW temperature knobs to the desired settings.

Ensure that the integral timer and/or room thermostat are set to the required settings.

6.6 HANDING OVER

After completing the installation and commissioning of the system the installer should:

- Hand the Users Instruction to the owner and emphasise their responsibilities under the relevant national regulations.
- Explain and demonstrate the lighting and shut down procedures.
- Explain the operation of the boiler and the use and adjustment of the system controls to ensure the greatest possible fuel economy, consistent with the owners heating and hot water requirements.
- Advise the user of the precautions necessary to prevent damage to the system and to the building in the event of the system remaining in operation during frosty condition.
- Explain the function of the boiler fault mode. Emphasise that if a fault is indicated, refer to Fault Codes in the User Guide.
- Explain and demonstrate system controls, integral timer functions and boiler reset procedure.

IMPORTANT - Stress the importance of an annual service by a competent gas registered engineer.

SECTION 7 - ROUTINE SERVICING INSTRUCTIONS

7.1 SERVICING SCHEDULE

For the very latest copy of literature for specification, maintenance practices and parts replacement, visit our website www.morcoproducts.co.uk where you will be able to download the relevant information.

WARNING. Always turn OFF the gas supply at the gas service cock, and switch OFF and disconnect the electricity supply to the appliance before servicing.

Combustion testing must be carried out by a competent person using a combustion analyser conforming to BS7927.

To ensure the continued safe and efficient operation of the appliance it is recommended that it is checked at regular intervals and serviced as necessary. The frequency of servicing will depend upon the installation condition and usage but should be carried out at least annually.

It is the law that any service work must be carried out by a Gas Safe Registered Engineer, or in other countries a qualified and competent Gas Installer.

INSPECTION

1. Light the boiler and carry out a pre-service check, noting any operational faults.
2. Check the flue terminal (and terminal guard if fitted) is undamaged and clear of any obstruction.
3. Check all water and gas joints for signs of leakage. Remake any suspect joints ensuring a gas tightness check is carried out if applicable and the water system is correctly refilled, vented and re-pressurised.

CLEANING PROCEDURE

Note. In order to carry out either servicing or replacement of components the boiler upper and lower front panels must be removed. Refer to Frame 7.2.

1. Clean the main burner. Refer to Frame 7.4.
2. Clean the heat exchanger & condensate trap/siphon. Refer to Frames 7.5 & 7.6.
3. Check the main injector for blockage or damage. Refer to Frame 7.3.
4. Check that the flue terminal is unobstructed and that the flue system is sealed correctly.

The cleaning procedures are covered more fully in Frames 7.3-7.7 and MUST be carried out in sequence.

IMPORTANT.

5. After completing the servicing or exchange of components always ensure all gas valve connections are gas tight with a gas soundness check up to the gas control valve.
6. When work is complete the front panels MUST be correctly refitted, ensuring that a good seal is made.

Do NOT OPERATE the boiler if the upper front panel is not fitted.

7. If, for any reason, the condensate trap/siphon has been removed ensure the trap is refilled with water before reassembling.
8. Check the gas consumption if on metered installations.
9. Check combustion by connecting the flue gas analyser to the flue gas sampling point as shown in the diagram and measure CO & CO₂. (Refer to Section 10, page 37).

If the CO/CO₂ ratio is greater than 0.004 AND the integrity of the complete flue system and combustion circuit seals have been verified and the inlet gas pressure have been verified, then contact Morco.

GENERAL

Please Note: During routine servicing, and after any maintenance or change of part of the combustion circuit, the following must be checked:

- The integrity of the flue system and the flue seals,
- The integrity of the boiler combustion circuit and the relevant seals
- The operational (working) gas inlet pressure at maximum rate. Turn on one or more DHW taps.
- The combustion performance.

COMPETENCE TO CARRY OUT THE CHECK OF COMBUSTION PERFORMANCE

Please Note: BS 6798:2009 Specification for installation and maintenance of gas-fired boilers of rated input not exceeding 70kW net advises that:

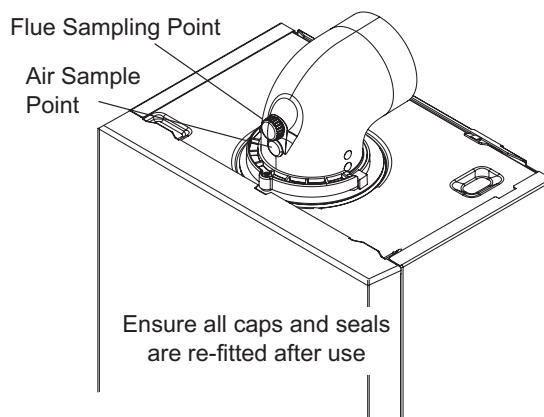
- The person carrying out a combustion measurement should have been assessed as competent in the use of a flue gas analyser and the interpretation of the results.
- The flue gas analyser used should be one meeting the requirements of BS7927 or BS-EN50379-3 and be calibrated in accordance with the analyser manufacturers requirements, and
- Competence can be demonstrated, for example, by satisfactory completion of the CPA1 ACS assessment (UK Only), which covers the use of electronic portable combustion gas analysers in accordance with BS7967, Parts 1 to 4.

SERVICE MODE

To access the service mode:

Using the central heating potentiometer, starting from the 11 o'clock position, move the thumb piece to the maximum position, back to the 11 o'clock position and then finally finish at the maximum position. The letter "S" will now be displayed.

To toggle to maximum DHW output move the thumb piece up to the 11 o'clock position and then back to maximum. A minimum of 3 seconds will reset the boiler back to normal mode.

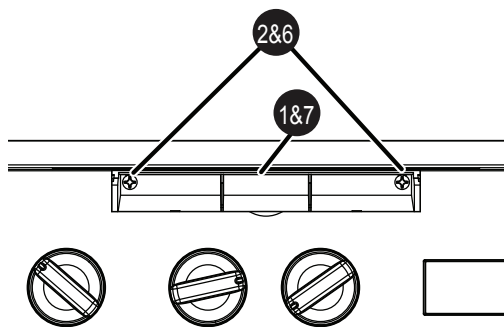


SECTION 7 - ROUTINE SERVICING INSTRUCTIONS

7.2 BOILER UPPER & LOWER FRONT PANEL REMOVAL / REPLACEMENT

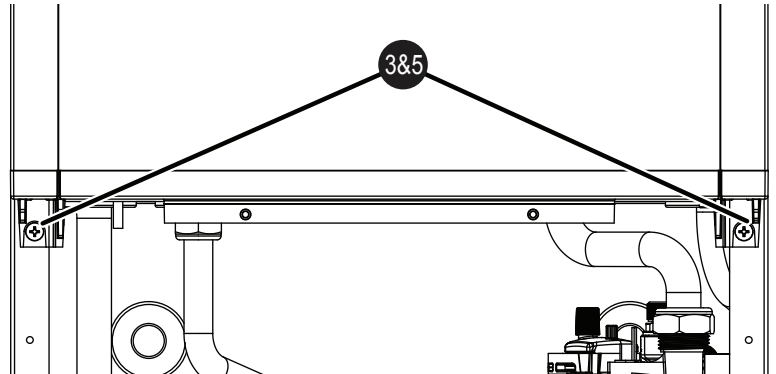
REMOVAL

1. Lift the lower front panel access panel.
2. Unscrew the two fixing screws, close the access panel to retain the two screws and hinge the lower front panel down into the service position.
3. Remove the two upper front panel fixing screws, lift the panel and remove.



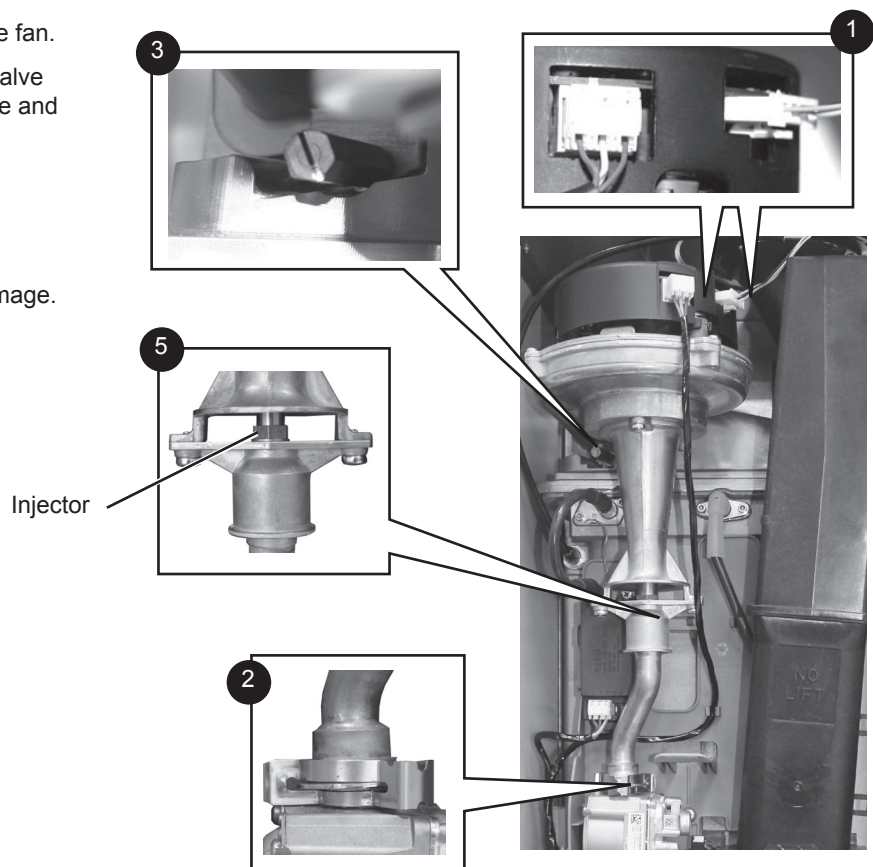
REPLACEMENT

4. Hook the upper panel onto the top retaining clips.
5. Retain the upper panel with the two fixing screws previously removed ensuring a good seal is made.
6. Swing the lower front panel up and retain with the two screws.
7. Close the lower front panel access panel.



7.3 FAN AND VENTURI ASSEMBLY REMOVAL AND CLEANING

1. Disconnect the electrical leads from the fan.
2. Remove the clip from the gas control valve outlet and ease the pipe upwards rotate and then ease down to remove.
3. Remove the extended nut on the fan mounting bracket.
4. Lift off fan and venturi assembly.
5. Inspect the injector for blockage or damage.
6. Inspect fan outlet sealing gasket and replace if necessary.



SECTION 7 - ROUTINE SERVICING INSTRUCTIONS

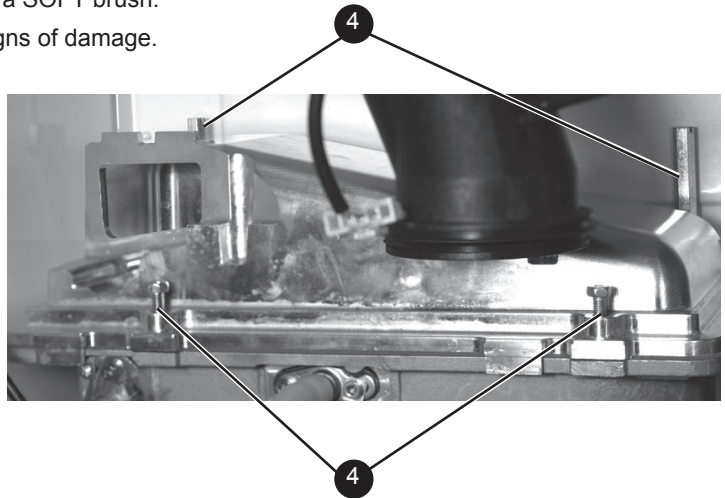
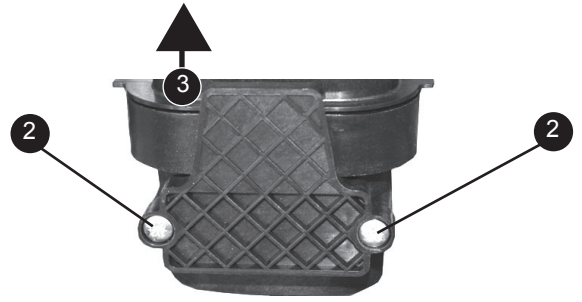
7.4 BURNER REMOVAL AND CLEANING

1. Ensure the sump is fully drained
2. Undo the two screws and remove the sump cover retaining the lower flue manifold.
3. Lift the manifold to clear the bottom sealing gasket and remove manifold.
4. Remove the 2 burner front fixing screws and loosen the 2 rear extended nuts by at least ten turns.
5. Lift off the burner from the combustion chamber. To facilitate the removal angle the burner as shown.

IMPORTANT

The burner head is a ceramic plaque construction. Care must be taken to ensure that **the burner is not placed down upon its face** as this may cause damage to the ceramic.

6. Brush off any deposits that may be on the ceramic with a SOFT brush.
7. Inspect the sealing gasket around the burner for any signs of damage. Replace as necessary.

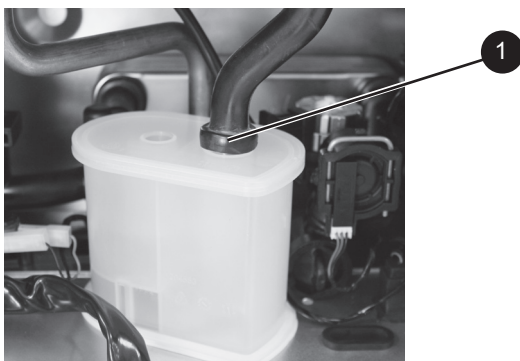


7.5 CLEANING THE CONDENSATE TRAP/SIPHON

Note: Ensure condensate trap is fully drained before removal.

1. Pull off the rubber pipe at the siphon.
2. Turn the siphon clockwise to disengage and lift to remove.
3. Flush out all deposits with clean water.
4. Reassemble in reverse order

Note. When reassembling ensure the trap is full of water

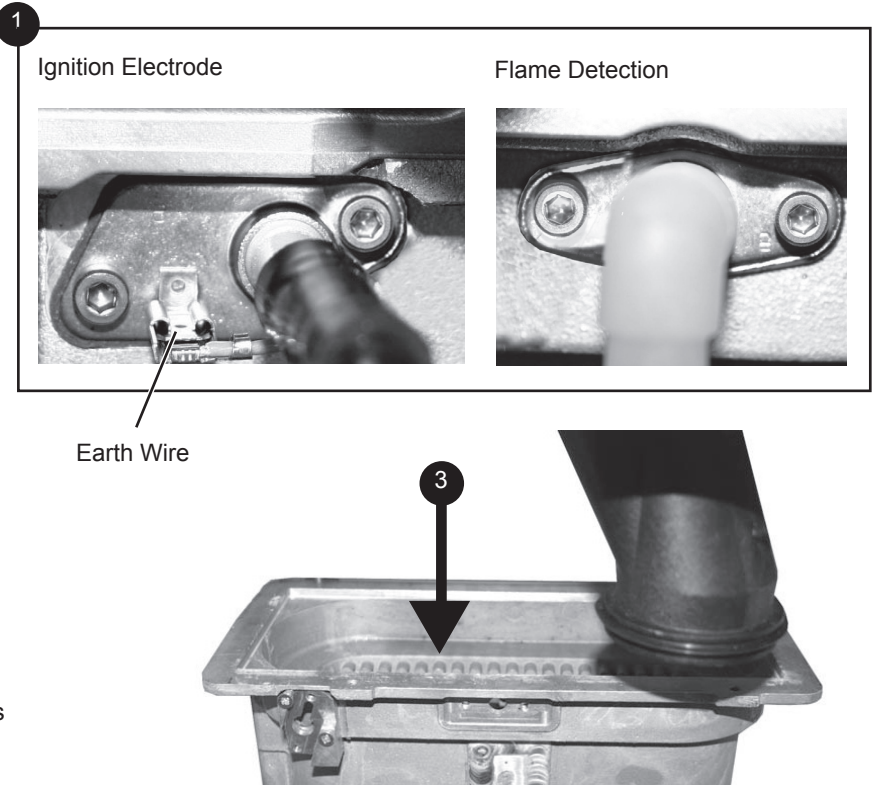


SECTION 7 - ROUTINE SERVICING INSTRUCTIONS

7.6 CLEANING THE HEAT EXCHANGER

Note: Ensure the condensate trap/siphon is fully drained before cleaning. Refer to Frames 7.5.

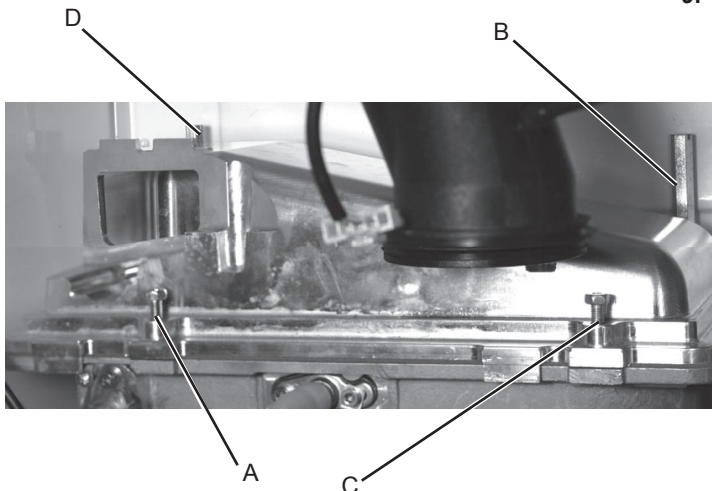
1. Remove ignition and flame detection electrodes. Refer to Frames 7.9 & 7.10.
2. It is advisable to replace the sump cover prior to the water flush process.
3. Thoroughly flush the heat exchanger by pouring water into the top of the combustion chamber ensuring the full top area is covered.
4. Remove the sump cover and clean loose deposits from the sump.
5. Inspect the ignition and detection electrodes. Ensure that they are clean and in good condition - replace if necessary.
6. Re-fit the ignition and flame detection electrodes. Ensure that earth wire is connected to the electrode
7. Check that the ignition and detection gaps are correct. Refer to Frames 7.9 & 7.10.



7.7 REASSEMBLY

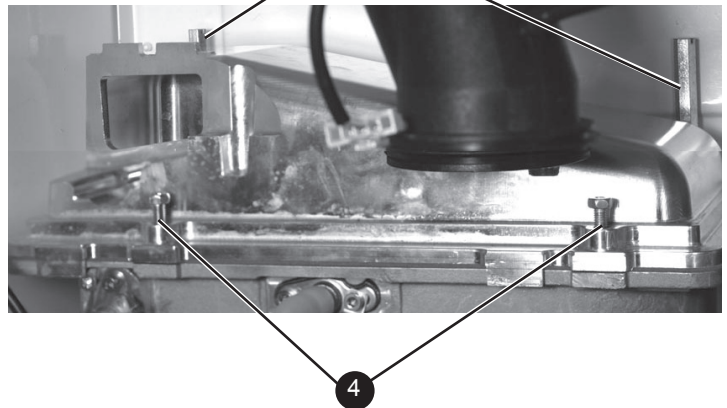
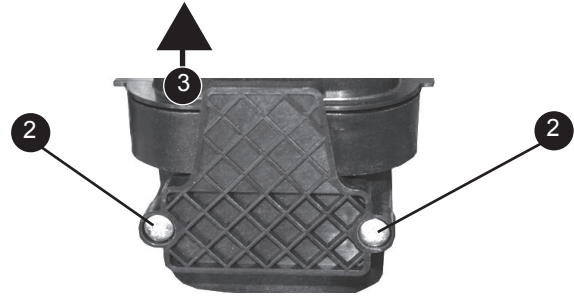
Reassemble the boiler in the following order:

1. Ensure that the condensate trap/siphon is full of water.
2. Refit the burner ensuring the sealing gasket is correctly positioned and free from damage (tighten the 4 fixing screws in the sequence A,B,C,D, shown below).
3. Refit the fan / venturi assembly ensuring the retaining tabs are correctly positioned and the sealing gasket is correctly positioned and free from damage.
4. Reconnect the fan electrical leads.
5. Remove the sump cover and refit the lower flue manifold as shown.
6. Refit the sump cover.
7. Refit the boiler upper and lower front panels.
IMPORTANT. Ensure that the boiler upper front panel is correctly fitted and that a good seal is made. Replace seals as necessary.
8. Turn on the gas supply at the gas service cock.
9. Reconnect the electrical supply.



7.8 BURNER REMOVAL

1. Refer to Frame 7.3.
2. Undo the two screws and remove the sump cover.
3. Lift the manifold to clear the bottom sealing gasket and remove manifold.
4. Remove the 2 front fixing screws and loosen the 2 rear extended nuts.
4. Lift off the burner from the combustion chamber. To facilitate the removal angle the burner as shown.
5. Fit the new burner, replacing any damaged or deteriorating sealing gasket.
6. Reassemble in reverse order.
7. Check the operation of the boiler.



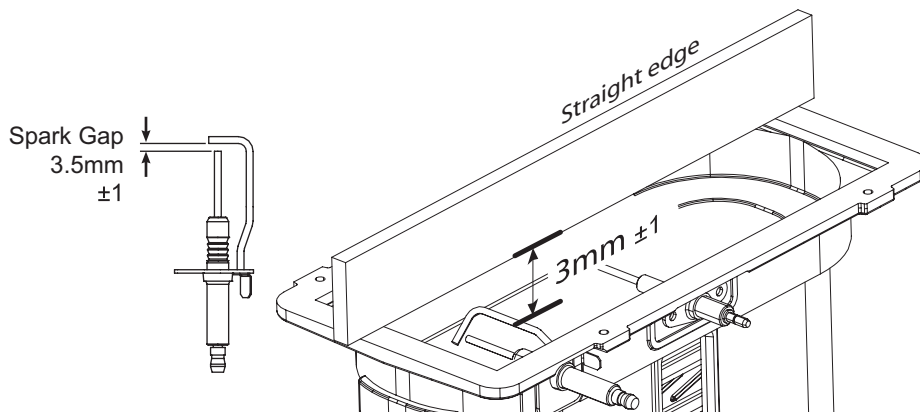
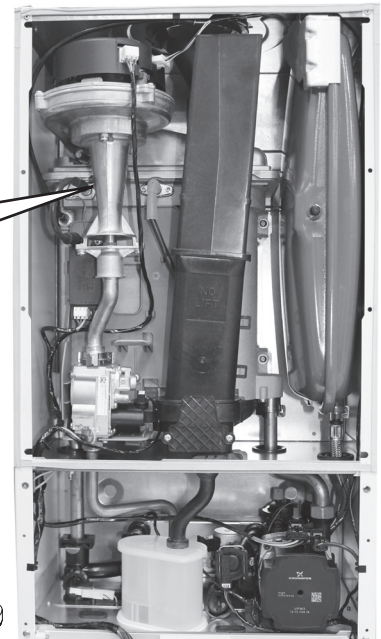
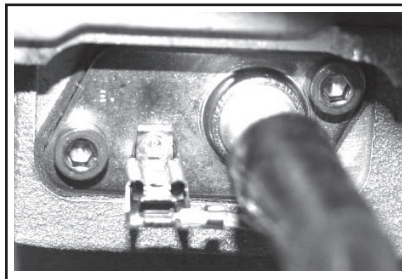
7.9 IGNITION ELECTRODE

1. Remove the burner. Refer to Frame 7.8.
2. Check dimensions are correct as in diagram below..
3. Reassemble in reverse order.

FOR REMOVAL:

1. Unplug the ignition lead and remove the earth lead.
2. Remove the 2 retaining screws and remove the electrode.
3. Reassemble in reverse order replacing the gasket if necessary.

Ignition Electrode



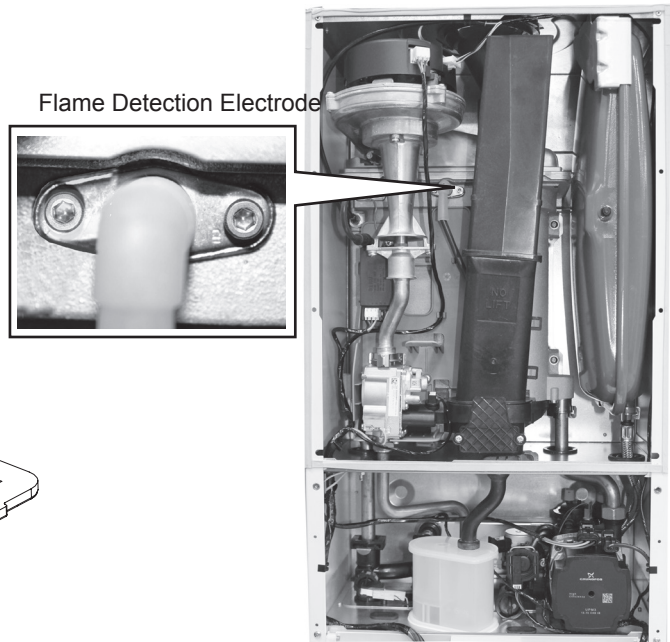
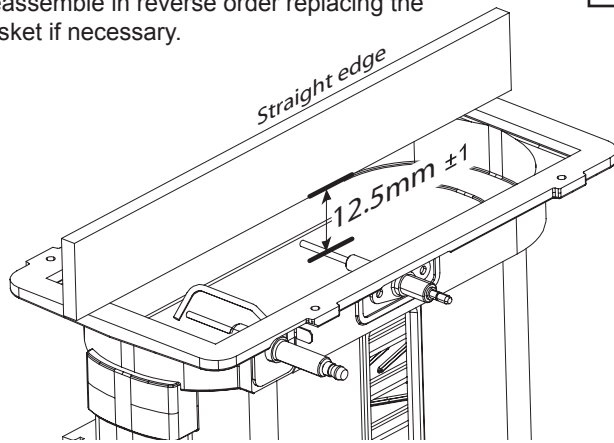
SECTION 7 - ROUTINE SERVICING INSTRUCTIONS

7.10 FLAME DETECTION ELECTRODE

1. Remove the burner. Refer to Frame 7.8.
2. Check dimensions are correct as in diagram below.
3. Reassemble in reverse order.

FOR REMOVAL:

1. Unplug the ignition lead and remove the earth lead.
2. Remove the 2 retaining screws and remove the electrode.
3. Reassemble in reverse order replacing the gasket if necessary.



7.11 FINAL CHECKS

Turn all controls to "ON" position and check their correct functions in both DHW & CH modes.

Additional replacement of parts information can be found on our website. www.morcoproducts.co.uk

8 FACT SHEETS

There are a number of detailed fact sheets available for users to download from Morco's website.


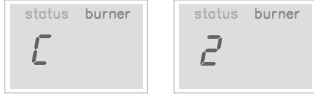

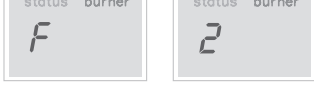
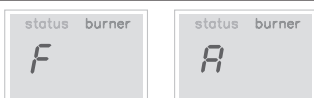


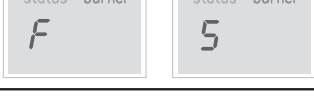




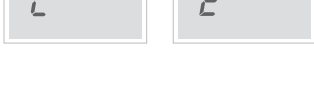

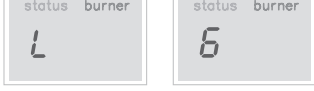
Please visit www.morcoproducts.co.uk

The fact sheets can be located in the troubleshooting section and include:

- Winterisation of Holiday Homes
- Poor Hot Water Delivery - Causes and Solutions
- Low Central Heating Pressure - Fault 1
- Thermostats, Programmers and Thermostatic Radiator Valves
- Combi boiler "cycling"
- Noisy boilers

SECTION 9 - FAULT CODES

9 FAULT CODES

DISPLAY CODE ON BOILER	DESCRIPTION	ACTION
	BCC Activation Fault	Restart the appliance - if the boiler fails to operate then please contact Morco (if under warranty) or alternatively a Gas Safe Registered Engineer if outside of the warranty period. In all other countries contact a Registered Gas Installer.
	BCC Fault	
	Low Water Pressure	Check system water pressure is between 1 & 1.5bar on the system pressure gauge (G). To re-pressurise the system see Section 3. If the boiler still fails to operate then please contact Morco (if under warranty) or alternatively a Gas Safe Registered Engineer if outside of the warranty period. In all other countries contact a Registered Gas Installer.
	Flame Loss	<ol style="list-style-type: none"> 1. Check other gas appliances in the home are working to confirm a supply is present in the property. 2. If other appliances do not work or there are no other appliances, check the gas supply is on at the meter/Gas Cylinder and/or pre payment meter has credit. If the boiler fails to operate then please contact Morco (if under warranty) or alternatively a Gas Safe Registered Engineer if outside of the warranty period. In all other countries contact a Registered Gas Installer.
	Return Thermistor	Return temperature greater than flow temperature. Please contact Morco.
	Fan Fault	Restart the appliance - if the boiler fails to operate then please contact Morco (if under warranty) or alternatively a Gas Safe Registered Engineer if outside of the warranty period. In all other countries contact a Registered Gas Installer.
	Flow Thermistor	Restart the appliance - if the boiler fails to operate then please contact Morco (if under warranty) or alternatively a Gas Safe Registered Engineer if outside of the warranty period. In all other countries contact a Registered Gas Installer.
	Return Thermistor	Restart the appliance - if the boiler fails to operate then please contact Morco (if under warranty) or alternatively a Gas Safe Registered Engineer if outside of the warranty period. In all other countries contact a Registered Gas Installer.
	Outside Sensor Failure	Restart the appliance - if the boiler fails to operate then please contact Morco (if under warranty) or alternatively a Gas Safe Registered Engineer if outside of the warranty period. In all other countries contact a Registered Gas Installer.
	Low Mains Voltage	Contact a qualified electrician or your electricity provider.
	Unconfigured PCB	Unconfigured PCB. Please contact Morco (if under warranty) or alternatively a Gas Safe Registered Engineer if outside of the warranty period. In all other countries contact a Registered Gas Installer.
	Flow Temperature Overheat or No Water Flow	Check system water pressure is between 1 & 1.5bar on the system pressure gauge (G). To re-pressurise the system see Section 3. If the boiler fails to operate then please contact Morco (if under warranty) or alternatively a Gas Safe Registered Engineer if outside of the warranty period. In all other countries contact a Registered Gas Installer.
	Ignition Lockout	<ol style="list-style-type: none"> 1. Check other gas appliances in the home are working to confirm a supply is present in the property. 2. If other appliances do not work or there are no other appliances, check the gas supply is on at the meter/Gas Cylinder and/or pre-payment meter has credit. If the boiler fails to operate then please contact Morco (if under warranty) or alternatively a Gas Safe Registered Engineer if outside of the warranty period. In all other countries contact a Registered Gas Installer. 3. Check condensate sump, internal pipe work and siphon, ensuring this is not frozen or blocked through to external pipe work. If frozen defrost using a non-direct heat method. If the boiler fails to operate then please contact Morco (if under warranty) or alternatively a Gas Safe Registered Engineer if outside of the warranty period. In all other countries contact a Registered Gas Installer.
	5 Boiler Resets in 15 minutes	<ol style="list-style-type: none"> 1. Turn electrical supply to boiler off and on. 2. If the boiler fails to operate please contact Morco (if under warranty) or alternatively a Gas Safe Registered Engineer if outside of the warranty period. In all other countries contact a Registered Gas Installer.
	False Flame Lockout	Restart the appliance - if the boiler fails to operate then please contact Morco (if under warranty) or alternatively a Gas Safe Registered Engineer if outside of the warranty period. In all other countries contact a Registered Gas Installer.

FLOWCHART FOR CO LEVEL AND COMBUSTION RATIO CHECK ON COMMISSIONING A CONDENSING BOILER

Important Preliminary Information on Checks

The air gas ratio valve is factory-set and must not be adjusted DURING COMMISSIONING.

PRIOR TO CO LEVEL AND COMBUSTION RATIO CHECK

The installation instructions must have been followed, gas type verified and gas supply pressure / gas rate checked as required prior to commissioning.

As part of the installation process, ESPECIALLY WHERE A FLUE HAS BEEN FITTED BY PERSONS OTHER THAN THE BOILER INSTALLER, visually check the integrity of the whole flue system to confirm that all components are correctly assembled, fixed and supported. Check that maximum flue lengths have not been exceeded and all guidance has been followed (e.g. Gas Safe Register Technical Bulletin (TB) 008 where chimney/flues are in voids).

The ECGA should be of the correct type, as specified by BS 7967.

Prior to its use, the ECGA should have been maintained and calibrated as specified by the manufacturer. The installer must have the relevant competence for use of the analyser.

Check and zero the analyser IN FRESH AIR in accordance with the analyser manufacturer's instructions.

KEY:

CO = carbon monoxide

CO₂ = carbon dioxide

O₂ = oxygen

Combustion Ratio = The CO reading measured in ppm divided by the CO₂ reading first converted to ppm

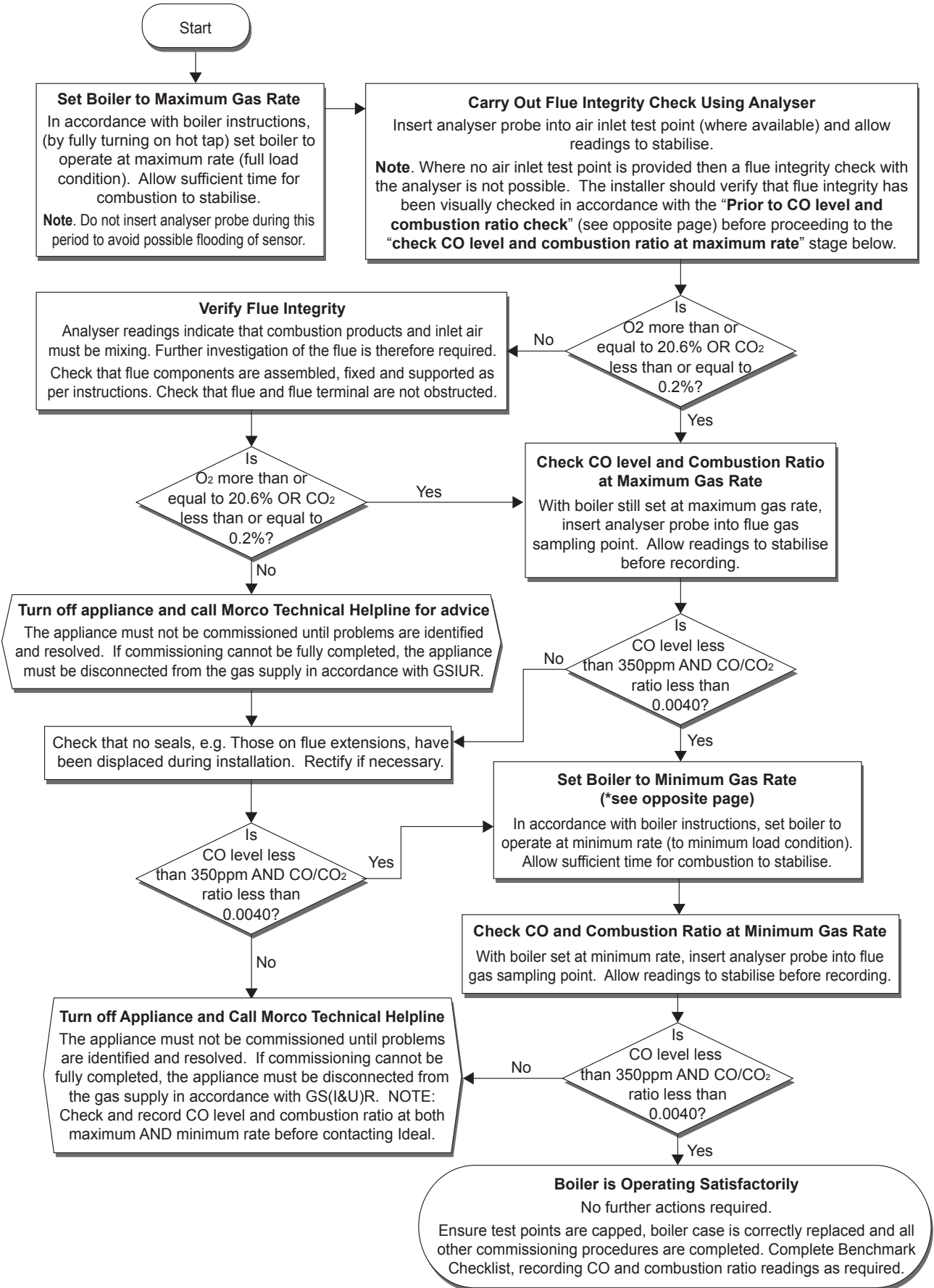
ppm = parts per million

GS(I&U)R = Gas Safety (Installation and Use) Regulations

*Setting to Minimum Rate:

1. Turn the CH temperature control knob to the 11 O'clock position.
2. Create a CH demand by ensuring that the system controls are requesting heat and the boiler Mode Knob is in the Winter Position.
3. Within an overall time of 3 seconds, turn the CH temperature control knob fully clockwise, back to 11 O'clock and then fully clockwise again.
4. "S" will be shown on the display and the boiler output will be reduced to minimum
5. The boiler will remain at minimum rate for 5 minutes before reverting to normal operation

SECTION 10 - COMBUSTION CHECK



WARRANTY CONDITIONS

The boiler is guaranteed against manufacturing defects for a period of two years from the date of first commissioning. However the guarantee is subject to proof of commissioning in accordance with the Gas Safety (Installation and Use) act 1998.

The guarantee does NOT cover the following issues:

1. Frost damage to any part of the boiler containing water during freezing conditions.
2. The removal of sludge or hard water scale due to lack of antifreeze/inhibitor
3. Damage to electronics caused by a defective electrical supply.
4. Damage or failure caused by insect contamination or blocked water filters.
5. Loss of pressure within the heating system not caused directly by the boiler.
6. Incorrect operation of the boiler caused by defective outlets such as thermostatic mixers or mono block mixer taps.
7. Damage caused by unauthorised modifications to the boiler from original specifications.

NOTES

For more detailed servicing information, workshop manuals, technical advice, spare parts, product training, please phone us on 01482 325456 or contact us at the address below:

MORCO PRODUCTS LTD

Morco House, Riverview Road, Beverley, East Yorkshire HU17 0LD

TEL: 01482 325456 FAX: 01482 212869 EMAIL: sales@morcoproducts.co.uk

WEBSITE: www.morcoproducts.co.uk